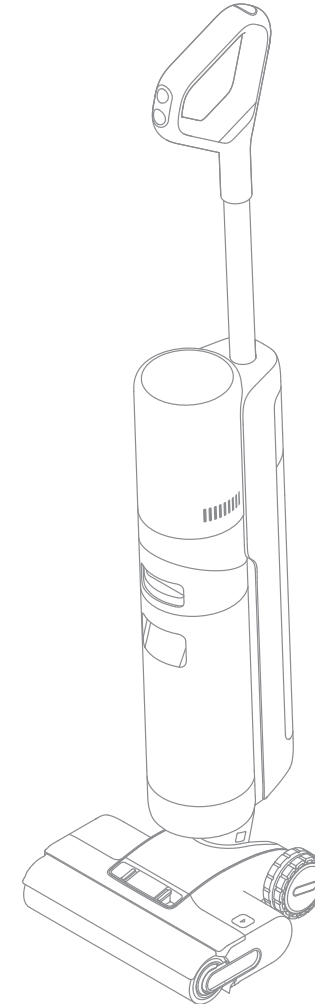


- The word "dreame" is the abbreviation of Dreame Technology Co., Ltd. and its subsidiaries in China. It is the transliteration of the company's Chinese name "追觅", which means striving for excellence in every endeavor and reflects the company's vision of continuous pursuit, exploration and search in technology.
- Dreame est l'abréviation de l'entreprise chinoise Dreame Technology Co., Ltd. et ses filiales, qui est la traduction phonétique du nom chinois de l'entreprise « 追觅 », reflétant la vision de l'entreprise qui consiste à poursuivre, explorer et rechercher constamment les avancées technologiques.
- La palabra "dreame" es la abreviatura de Dreame Technology Co., Ltd. y sus subsidiarias en China. Es la transliteración del nombre chino de "追觅", que significa luchar por la excelencia en cada esfuerzo y refleja la visión de la compañía de continuamente buscar, explorar e investigar en tecnológás.

Dreame H13 Pro

Wet and Dry Vacuum

User Manual



For more information, please visit <https://global.dreametech.com>

Manufactured by: Dreame Trading (Tianjin) Co., Ltd.

Address: Room 2112-1-1, South District, Finance and Trade Center,
No.6975 Yazhou Road, Dongjiang Bonded Port Area, Tianjin
Pilot Free Trade Zone, Tianjin, China

Tel: +1 (866) 977-5177

Made in China

HHR27C-NA-A00



The illustrations in this manual are for reference only.
Please refer to the actual product.

DREAME

THANK YOU

FOR PURCHASING THIS DREAME
WET AND DRY VACUUM.

Registration Quick Start

Welcome to register a Dreame account by scanning the QR code. You are available for the **User Manual** and **Special Offers**.



The high-quality product is engineered for optimal performance.
If you have any questions on the product, please contact us:
support.us@dreame.tech

Contents

EN	User Manual	01
CFR	Manuel de l'utilisateur	18
AES	Manual del usuario	35

IMPORTANT SAFETY INSTRUCTIONS

When using an electrical appliance, basic precautions should always be followed, including the following:

READ ALL INSTRUCTIONS BEFORE USING (THIS APPLIANCE). Failure to follow the warnings and instructions may result in electric shock, fire and/or serious injury.

SAVE THESE INSTRUCTIONS

Household use only.

WARNING—To reduce the risk of fire, electric shock, or injury:

- Do not use outdoors or on wet surfaces during charging.
- Do not allow to be used as a toy. Close attention is necessary when used by or near children, pets or plants.
- Use only as described in this manual. Use only manufacturer's recommended attachments.
- Do not use with damaged cord or plug. If appliance is not working as it should, has been dropped, damaged, left outdoors, or dropped into water, return it to a service center.
- Do not pull or carry by cord, use cord as a handle, close a door on cord, or pull cord around sharp edges or corners. Do not run appliance over cord. Keep cord away from heated surfaces.
- Do not unplug by pulling on cord. To unplug, grasp the plug, not the cord.
- Do not handle charging base, including charging base plug, and charging base terminals with wet hands.
- Do not put any object into openings. Do not use with any opening blocked; keep free of dust, lint, hair, and anything that may reduce air flow.
- Keep hair, loose clothing, fingers, and all parts of body away from openings and moving parts.
- Use extra care when cleaning on stairs.
- Do not use to pick up flammable or combustible liquids, such as gasoline, or use in areas where they may be present.
- Do not pick up anything that is burning or smoking, such as cigarettes, matches, or hot ashes.
- To reduce the risk of fire, do not use a flammable or combustible liquid to clean a floor.
- Do not use without water tank and/or filter in place.
- Prevent unintentional starting. Ensure the switch is in the off-position before picking up or carrying the appliance. Carrying the appliance with your finger on the switch or energizing appliance that have the switch on invites accidents.
- Recharge only with the charging base specified by the manufacturer. A charging base that is suitable for one type of appliance may create a risk of fire when used with another one.
- Under abusive conditions, liquid may be ejected from the battery; avoid contact. If contact accidentally occurs, flush with water. If liquid contacts eyes, additionally seek medical help. Liquid ejected from the battery may cause irritation or burns.
- Do not use a battery pack or appliance that is damaged or modified. Damaged or

modified battery packs may exhibit unpredictable behavior resulting in fire, explosion or risk of injury.

- Do not expose a battery pack or appliance to fire or excessive temperature. Exposure to fire or temperature above 130°C/266°F may cause explosion.
- Follow all charging instructions and do not charge the battery pack or appliance outside of the temperature range specified in the instructions. Charging improperly or at temperatures outside of the specified range may damage the battery and increase the risk of fire.
- Have servicing performed by a qualified repair person using only identical replacement parts. This will ensure that the safety of the appliance is maintained.
- Do not modify or attempt to repair the appliance or the battery pack except as indicated in the instructions for use and care.
- Always turn off this appliance before cleaning and maintenance.
- To reduce the risk of fire and electric shock due to internal component damage, use only dreamer cleaning fluid intended for use with this appliance. See the Cleaning Fluid section of this manual.
- This appliance contains batteries that are non-replaceable.
- The appliance should be stored, used and charged only in the temperature range of 4°C/39.2°F~40°C/104°F.
- Use appliances only with specifically designated battery packs. Use of any other battery packs may create a risk of injury and fire.
- When battery pack is not in use, keep it away from other metal objects, like paper clips, coins, keys, nails, screws or other small metal objects, that can make a connection from one terminal to another. Shorting the battery terminals together may cause burns or a fire.
- Risk of injury. Brush may start unexpectedly. Keep the switch in off position before cleaning or servicing.

Caution:

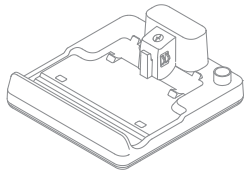
This device complies with Part 15 of the FCC Rules / Innovation, Science and Economic Development Canada's licence-exempt RSS(s). Operation is subject to the following two conditions: (1) this device may not cause harmful interference. (2) this device must accept any interference received, including interference that may cause undesired operation.

Changes or modifications not expressly approved by the party responsible for compliance could void the user's authority to operate the equipment.

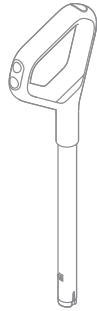
This equipment has been tested and found to comply with the limits for a Class B digital device, pursuant to part 15 of the FCC Rules. These limits are designed to provide reasonable protection against harmful interference in a residential installation. This equipment generates uses and can radiate radio frequency energy and, if not installed and used in accordance with the instructions, may cause harmful interference to radio communications. However, there is no guarantee that interference will not occur in a particular installation. If this equipment does cause harmful interference to radio or television reception, which can be determined by turning the equipment off and on, the user is encouraged to try to correct the interference by one or more of the following.

---	Direct current
~	Alternating current

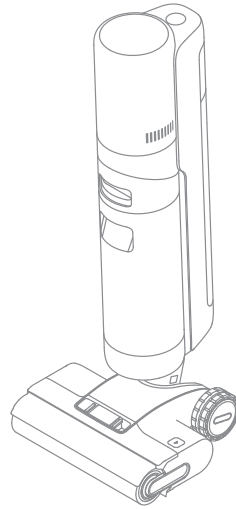
Packing List



Charging Base



Handle



Main Body



Replacement Filter



Solid Waste Filter Basket

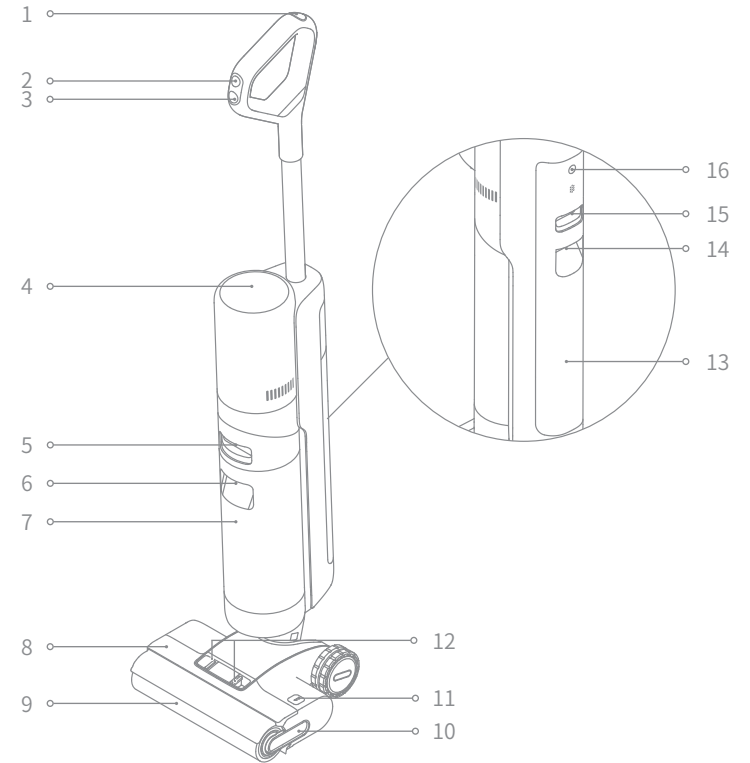


Spare Brush Roller



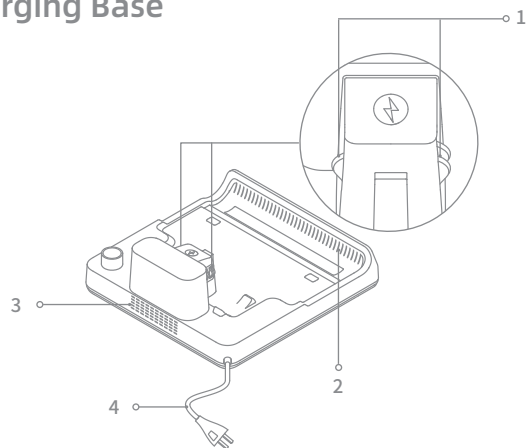
Cleaning Brush

Wet and Dry Vacuum



- | | | |
|-----------------------------------|--|---|
| 1. Self-Cleaning Button | 8. Brush Roller Cover | 15. Clean Water Tank Release Button |
| 2. Mode Switch | 9. Brush Roller | 16. Voice Prompt Button |
| 3. Power Switch | 10. Brush Roller Handle | <ul style="list-style-type: none"> • Press briefly to activate the voice prompt or adjust the volume. • Press and hold for 3 seconds to set the language. Press to switch between languages. Press and hold to confirm the selection. |
| 4. Display Screen | 11. Brush Roller Release Button | |
| 5. Used Water Tank Release Button | 12. Brush Roller Cover Release Buttons | |
| 6. Used Water Tank Handle | 13. Clean Water Tank | |
| 7. Used Water Tank | 14. Clean Water Tank Handle | |

Charging Base



- 1. Charging Contacts
- 2. Air-Drying Outlet
- 3. Air-Drying Inlet
- 4. Power Cord

Display Screen



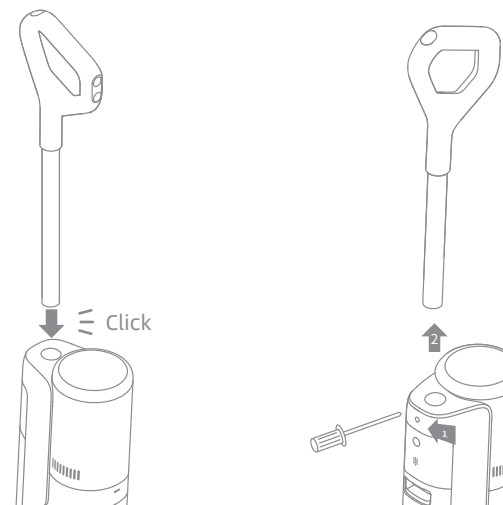
- 1. Auto Mode
- 2. Suction Mode
- 3. Charging Indicator
 - Breathing Orange : Battery level ≤ 20%
 - Breathing Green: Battery level > 20%
- 4. Drying Mode
- 5. Turbo Mode
- 6. Low Battery Indicator
 - Solid Orange: Battery level ≤ 20%
 - Solid Green: Battery level > 20%
- 7. Ultra Mode
- 8. Dust Concentration Indicator

The color of the curve changes with the amount of dust in real time.
- 9. Error Messages
 - Insufficient water in the Clean Water Tank
 - Used Water Tank full
 - Blocked tube
 - Brush roller stuck

Note: If the appliance is not working properly, the screen display will show an error message. Please refer to the troubleshooting table to find your solution.

Assembly and Disassembly of Handle

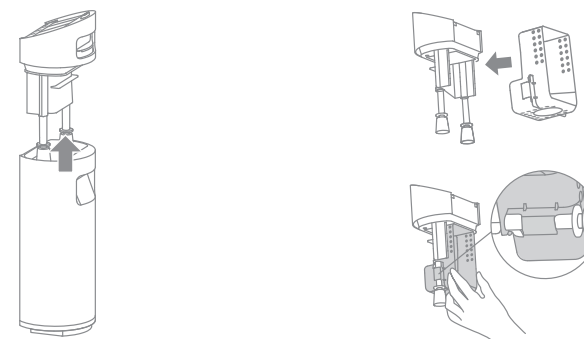
Insert the end of the handle vertically into the port on the top of the appliance as indicated until you hear a click.



Note: To disassemble, press the contacts in the hole on the back of the appliance with the appropriate tool and pull the handle upwards at the same time.

Installing the Solid Waste Filter Basket

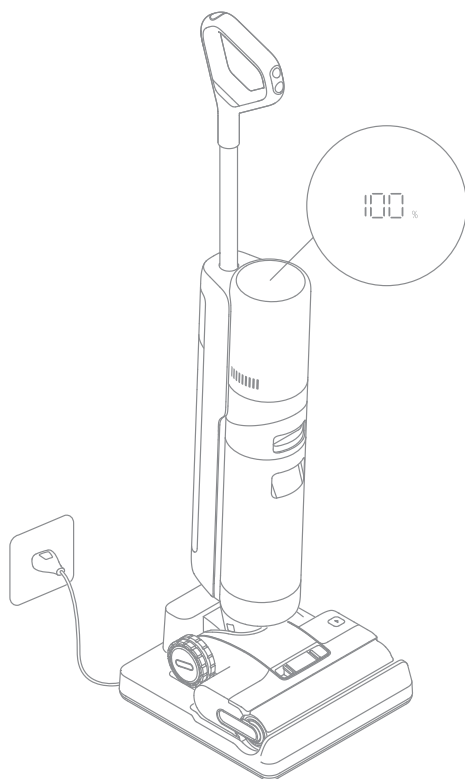
Remove the used water tank and pull up the tank cover to install the solid waste filter basket.



Note: If the solid waste filter basket is not installed, other functions can operate normally except that the solid waste cannot be separated.

Charging

1. Place the charging base against a wall on level ground and connect it to a power source. Fully charge the appliance before first use.
2. Place the appliance on the charging base. When charging, the number on the display screen represents the current battery level as a percentage. When the number reaches 100, the battery is fully charged.



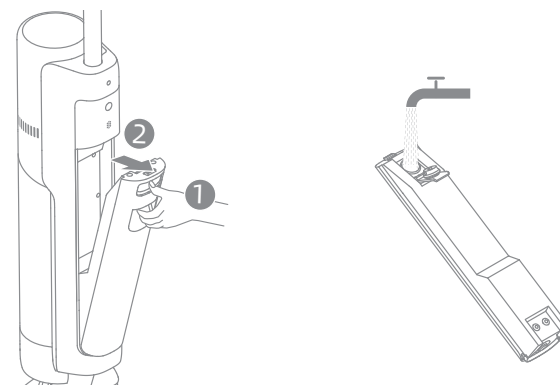
Note:

- If there is no operation within 10 minutes of being fully charged, the vacuum will enter sleep mode. Please restart the appliance if you need to use it.
- To extend the battery life time, the battery keeps cooling down for about one hour automatically after you have used the appliance for a long time.

How to Use

Filling the Clean Water Tank

Press the Clean Water Tank release button and pull the tank outwards to remove it. Remove the cover of the Clean Water Tank and fill the tank with clean water. Install the Clean Water Tank and ensure it clicks into place.




Adding Cleaning Fluid

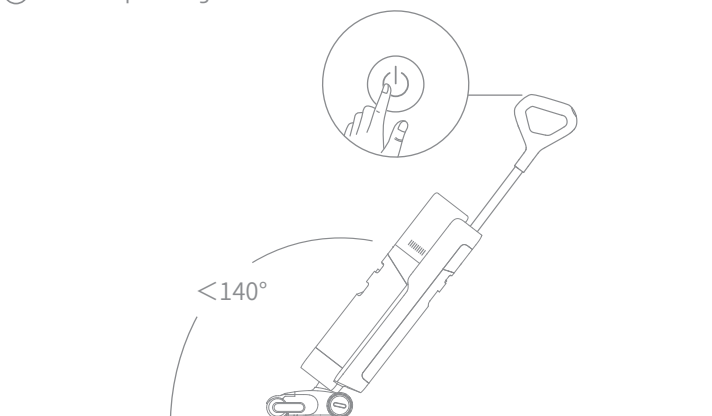
For better cleaning performance, it is recommended to add 0.34 oz/10 ml detergent with the bottle cap into the full Clean Water Tank, then shake gently and evenly for use.

Note: Do not add any liquids other than the officially-approved cleaner. The cleaner can be available on the official online store.

WARNING : To reduce the risk of fire and electric shock due to internal component damage, use only dreame AWH10 cleaning fluid intended for use with the appliance.

Starting Cleaning

Gently step on the brush cover and recline the appliance backwards. Press the power switch  to start operating.

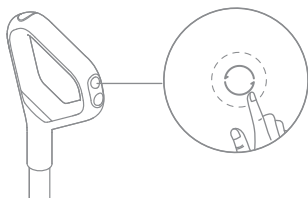




Note:

- Do not vacuum any foamy liquids.
- If the appliance is in the upright position while working, the current task will be suspended.
- The appliance is suitable for cleaning floors, marble, tiles and other hard surfaces.
- Please press the brush against the floor when using. Do not recline the appliance backwards more than 140° to prevent the appliance from leaking water.
- When the appliance is in operation, do not lift it off the ground, tilt it or lay it flat. Doing so may cause the used water to flow into the motor.

Switching Modes

The appliance is powered on in auto mode by default, you can switch to the ultra mode-the suction mode-the turbo mode as needed.

**Self-Cleaning with Hot Water**

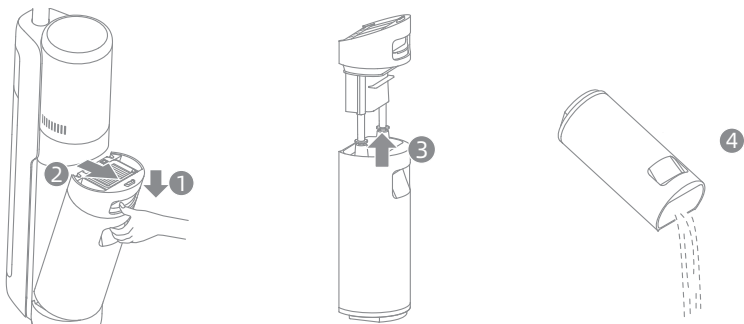
1. Place the appliance back onto the base while you finish cleaning. Ensure that the water in the Clean Water Tank is sufficient for self-cleaning.
2. Briefly press the self-cleaning button  on the top of the handle to start self-cleaning with hot water. Switch between self-cleaning modes according to the voice prompts.
3. Please empty the Used Water Tank after self-cleaning is completed and drying mode has been engaged. Press the button  to exit the drying mode.

Note:

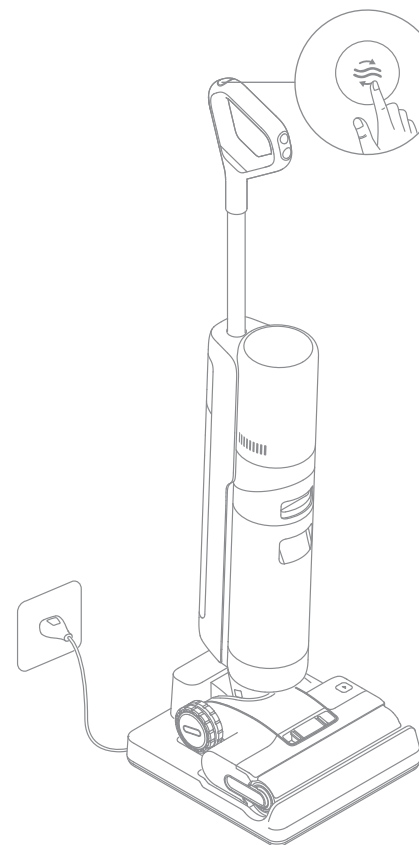
- The self-cleaning function can be enabled only when the appliance is being charged and the battery level is more than 15%.
- Do not touch the brush roller, hot water and the heating module on the charging base during the self-cleaning process.

Empty the Used Water Tank

Press the used water tank release button to take out the tank. Pull up the tank cover and pour out the used water. Reinstall the tank cover and the tank before use.

**Drying Mode**

1. Press and hold self-cleaning button  for 3 seconds to activate drying mode.
2. The appliance will be charged once drying is completed.

**Note:**

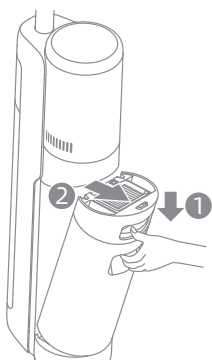
- After self-cleaning is complete, promptly clean the Used Water Tank. Clean the charging base if there are any stains left on the base.
- If cleaning the brush roller manually, please air-dry it thoroughly or dry it by using drying mode several times to ensure a good drying effect.

Tips:

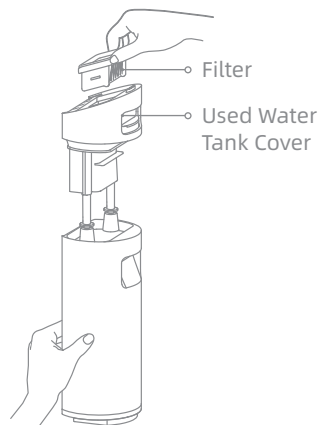
- Turn off the appliance before maintenance. Do not touch the power switch.
- Replace parts if needed. The parts must be replaced by those available from the manufacturer or its service agent.
- If the vacuum is not used for an extended period, fully charge it, unplug the power plug, and store the vacuum in a cool, low-humidity environment away from direct sunlight. To avoid over-discharge of the battery, charge the vacuum at least once every 3 months.

Cleaning the Used Water Tank and the Filter

1. Press the Used Water Tank release button, and pull the Used Water Tank outwards to remove it.



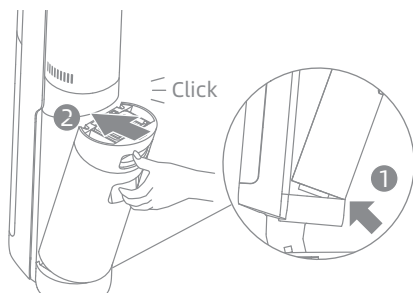
2. Take out the filter from the Used Water Tank cover. Pull up the tank cover and pour out the waste water.



3. Rinse the Used Water Tank and the tank cover with water, and clean the inner wall of the tank with the provided cleaning brush.



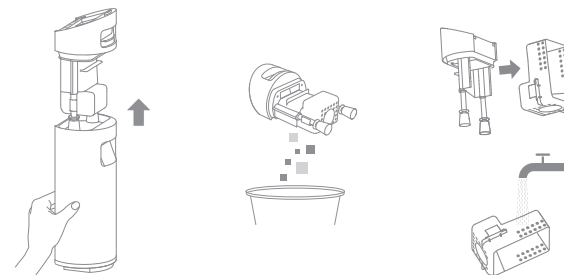
4. Re-install the filter and the Used Water Tank cover. Then re-install the Used Water Tank until you hear a click.



- Note:
- If the filter is dirty, rinse it with clean water and dry it completely before use.
 - Replacing the filter every 3 to 6 months is recommended.

Cleaning the Solid Waste Filter Basket

Remove the Used Water Tank and then pull up the tank cover. Separate the solid waste filter basket from the tank cover and clean it.

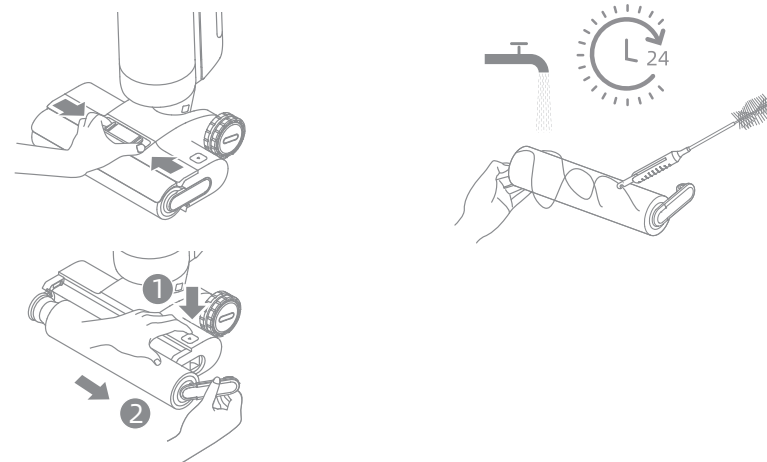


Note: If you do not need to use the solid waste filter basket, you can remove it.

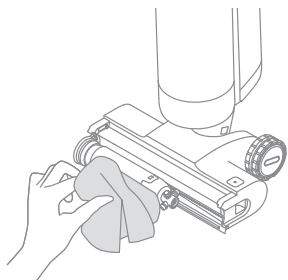
Cleaning the Brush Assembly

1. First, press the brush roller cover release buttons inwards on both sides to remove the brush roller cover. Press the brush roller release button, and the brush roller handle will pop out. Pull it to take out the brush roller.

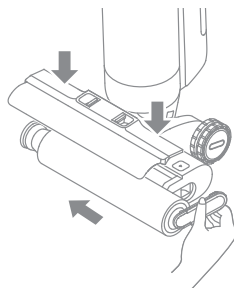
2. Clear any hair and debris caught on the brush roller with the provided cleaning brush. Rinse the brush roller with clean water and dry it completely.



3. Wipe the suction inlet with a dry cloth or wet tissue. Do not rinse the brush assembly with water.



4. Re-install the brush roller and the brush roller cover until you hear a click.

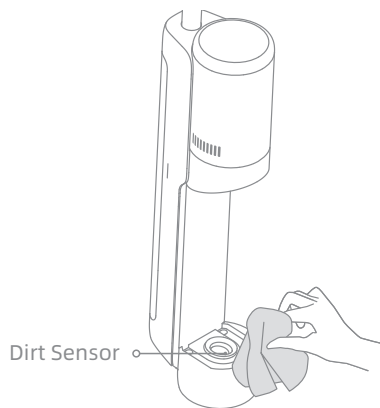


Note:

- Clean as needed. Alternating use of the two provided brush rollers is recommended.
- Replacing the brush roller every 3 to 6 months is recommended.

Cleaning the Tube and the Dirt Sensor

Remove the Used Water Tank, gently wipe the tube and the dirt sensor with a wet cloth before use.



Note: Do not rinse the tube or the dirt sensor.






If an error occurs, the appliance will stop working. Please refer to the following table for troubleshooting. If the problem persists, please contact customer service.

Error	Possible Cause	Solution
The appliance does not work	The appliance is out of battery or its battery level is low	Fully charge its battery before use
	The appliance is in the upright position	Recline the appliance backwards
	Blockage activated overheat protection mode	Clear the blockage and wait until the temperature returns normal
	The Used Water Tank is full	Empty the Used Water Tank
	The parts are not properly installed	Ensure all parts are properly in place
The appliance charges slowly	The temperature of the battery is too low or too high	Wait until the battery's temperature returns normal
The suction power of the appliance is weak	The filter is clogged	Cleaning the filter
	The suction inlet or tube is blocked by a foreign object	Clean the tube and the suction inlet
The motor is making a strange noise	There is too much used water in the Used Water Tank	Empty the Used Water Tank
	The suction inlet is blocked	Clear any blockage in the suction inlet
The dust concentration indicator is solid red	The dirt sensor needs cleaning	The dirt sensor is in the tube. Follow tube cleaning instructions
	The cleaning solution concentration is too high	Dilute the cleaning solution with water at the recommended ratio
	A third-party cleaning solution caused a large amount of foam	Use only the officially-approved cleaning solution
The display screen does not light up while charging	The charging base cable is not plugged into the electrical outlet	Make sure the charging base cable is plugged in
	The appliance is not placed onto the charging base properly	Make sure the appliance is placed onto the charging base properly

No water is coming out of the appliance	The Clean Water Tank is not properly installed in place, or the water in the Clean Water Tank is insufficient	Re-install or fill the Clean Water Tank
	It takes 30 second to dampen the brush roller	Turn on the appliance and check again in 30 seconds
The vent leaks water	A collision or a sharp pull causes water to enter the motor; Lift the appliance off the ground, tilt it or lay it flat	Move the appliance gently back and forth and press the brush against the floor when using
	The filter is not completely dry after being cleaned	Dry the filter completely before use
Self-cleaning fails	The brush roller may be jammed by large debris	Remove the brush roller cover to check and clean the brush roller
	The appliance is not placed onto the charging base properly	Make sure the appliance is being charged before self-cleaning
	Self-cleaning cannot be enabled if the battery level is lower than 15%	The self-cleaning function can only be enabled when the appliance is being charged and the battery level is more than 15%
	The Used Water Tank is not installed in place, or the Used Water Tank is full	Re-install or empty the Used Water Tank
	The Clean Water Tank is not installed in place, or the water in the Clean Water Tank is insufficient	Re-install or fill the Clean Water Tank
Poor drying performance or strange noise while drying	The air outlet and air inlet of the charging base may be blocked	Check and clear the blockage of air outlet and air inlet

For additional support, contact us via support.us@dreame.tech
Tel: +1 (866) 977-5177

If the appliance is not working properly, the screen display will show an error message. Please refer to the troubleshooting table to find your solution.

Error Icon	Possible Cause	Solution
	Insufficient water in the Clean Water Tank	Fill the Clean Water Tank
	The Used Water Tank is full	Empty the Used Water Tank
	Brush roller stuck	Clean the brush roller with the provided cleaning brush
	Blocked tube	Check whether the filter is clogged Alternatively, clean the tube and the dirt sensor
	The brush roller and tube are dirty	Place the appliance back onto the base for self-cleaning

Error Code	Possible Cause	Solution
E1-E7	Error	Restart the appliance for troubleshooting. If the problem persists, please contact customer service
H1-H6		
H7	Battery overheating	Wait until the battery's temperature returns normal

Wet and Dry Vacuum			
Model	HHR27C	Charging Time	Approx. 4 hours (including drying)
		Drying time	Approx. 30 minutes
Rated Voltage	21.6 V ===	Charging Voltage	27 V ===
Rated Power	300 W	Used Water Tank Capacity	16.9 fl oz
		Clean Water Tank Capacity	30.4 fl oz
Charging Base			
Model	HCBC		
Rated Input	120 V ~ 60 Hz 0.8 A (charging) 235 W*	Rated Output	27 V === 1.68 A

*The rated input power of the charging base is measured when the drying function and the charging function are turned on at the same time.

- The lithium-ion battery pack contains substances that are hazardous to the environment. Before disposing of the appliance, please first remove the battery pack, then discard, or recycle it in accordance with local laws and regulations of the country or region it is used in.
- The appliance must be disconnected from the power supply when removing the battery. Keep batteries out of the reach of children. Never put batteries in mouth. If swallowed, contact your physician or local poison control.
- Under abusive conditions, never contact the battery from which the liquid may be ejected. If contact accidentally occurs, rinse with water. If liquid contacts eyes, seek medical help immediately. Liquid ejected from the battery may cause irritation or burns.

IMPORTANTES MESURES DE SÉCURITÉ

L'utilisation d'un appareil électrique demande certaines précautions: **LIRE TOUTES LES INSTRUCTIONS AVANT DE FAIRE FONCTIONNER (CET APPAREIL).** Le non-respect des mises en garde et des instructions peut causer des chocs électriques, des incendies et/ou des blessures graves.

CONSERVER CES INSTRUCTIONS

Usage Domestique seulement

AVERTISSEMENT- Pour réduire les risques d'incendie, de choc électrique ou de blessure:

- Ne pas utiliser à l'extérieur ou sur des surfaces humides pendant la charge.
- Ne pas permettre aux enfants de jouer avec l'appareil. Une attention particulière est nécessaire lorsque l'appareil est utilisé par des enfants ou à proximité de ces derniers.
- N'utiliser que conformément à cette notice avec les accessoires recommandés par le fabricant.
- Ne pas utiliser si le cordon ou la fiche est endommagé. Retourner l'appareil à un atelier de réparation s'il ne fonctionne pas bien, s'il est tombé ou s'il a été endommagé, oublié à l'extérieur ou immergé.
- Ne pas tirer, soulever ni trainer l'appareil par le cordon. Ne pas utiliser le cordon comme une poignée, le coincer dans l'embrasure d'une porte ou l'appuyer contre des arêtes vives ou des coins. Ne pas faire rouler l'appareil sur le cordon. Garder le cordon à l'écart des surfaces chaudes.
- Ne pas débrancher en tirant sur le cordon. Tirer plutôt la fiche.
- Ne pas manipuler la base de charge, y compris la prise de la base de charge, et les bornes de la base de charge avec les mains mouillées.
- N'insérer aucun objet dans les ouvertures. Ne pas utiliser l'appareil lorsqu'une ouverture est bloquée. S'assurer que de la poussière, de la peluche, des cheveux ou d'autres matières ne réduisent pas le débit d'air.
- Maintenir les cheveux, les vêtements amples, les doigts et toutes les parties du corps à l'écart des ouvertures et des pièces mobiles.
- User de prudence lors du nettoyage des escaliers.
- Ne pas aspirer des liquides inflammables ou combustibles, comme de l'essence, et ne pas faire fonctionner dans des endroits où peuvent se trouver de tels liquides.
- Ne pas aspirer de matières en combustion ou qui dégagent de la fumée, comme des cigarettes, des allumettes ou des cendres chaudes.
- Pour réduire le risque d'incendie, ne pas se servir d'un liquide combustible ou inflammable pour nettoyer les planchers.
- Ne pas utiliser l'appareil si le sac à poussière ou le filtre n'est pas en place.
- Empêcher une mise en marche accidentelle. S'assurer que l'interrupteur est à la position arrêt de lever ou de déplacer l'appareil. Transporter l'appareil en gardant un doigt sur l'interrupteur, ou mettre sous tension un appareil dont l'interrupteur est à la position marche peut causer un accident.

- Recharger uniquement avec la base de charge prescrit par le fabricant. Une base de charge adaptée à un type d'appareil peut créer un risque d'incendie lorsqu'elle est utilisée avec un autre type d'appareil.
- En condition d'usage abusif, du liquide peut s'échapper de la batterie ; éviter tout contact avec ce liquide. En cas de contact accidentel, rincer abondamment avec de l'eau. En cas de contact avec les yeux, consulter également un médecin. Le liquide projeté peut causer des irritations ou des brûlures.
- N'utilisez pas un appareil endommagé ou modifié. Les batteries endommagées ou modifiées peuvent présenter un comportement imprévisible entraînant un incendie, une explosion ou un risque de blessure.
- N'exposez pas un appareil au feu ou à une température excessive. L'exposition au feu ou à une température supérieure à 130°C/266°F peut provoquer une explosion.
- Respecter toutes les instructions de chargement et ne pas charger la batterie ou l'appareil à des températures qui ne sont pas incluses dans la gamme de températures indiquées dans la notice d'instructions. Un chargement mal effectué.
- Confier les réparations à une personne qualifiée qui utilisera uniquement des pièces de remplacement identiques. Cette façon de faire garantira la sécurité du produit.
- Ne pas modifier ni tenter de réparer l'appareil ou la batterie sauf comme il est indiqué dans les instructions d'utilisation et d'entretien.
- Toujours éteindre cet appareil avant de le nettoyer et de l'entretenir.
- Pour réduire le risque d'incendie ou de choc électrique dû au dommage de composants internes, utiliser seulement le liquide de nettoyage dreame prévu pour cet appareil (voir détails sur les produits de nettoyage ailleurs dans cette notice).
- Cet appareil contient des piles qui ne sont pas remplaçables.
- L'appareil doit être stocké, utilisé et chargé uniquement dans une plage de température de 4°C/39,2°F~40°C/104°F.
- N'utilisez les appareils qu'avec les blocs-piles spécifiquement désignés. L'utilisation de tout autre bloc-piles peut créer un risque de blessure et d'incendie.
- Lorsque le bloc-piles n'est pas utilisé, tenez-le à l'écart des autres objets métalliques, comme les trombones, des pièces de monnaie, des clés, des clous, des vis ou d'autres petits objets métalliques, qui peuvent établir une connexion d'une borne à l'autre. La mise en court-circuit des bornes de la batterie peut provoquer des brûlures ou un incendie.
- Risque de blessures. La brosse motorisée peut se mettre en marche d'une manière imprévue. Laissez l'interrupteur en position d'arrêt avant de nettoyer ou d'entretenir l'appareil.

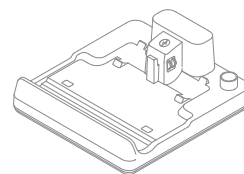
Attention:

L'émetteur/récepteur exempt de licence contenu dans le présent appareil est conforme aux CNR d'Innovation, Sciences et Développement économique Canada applicables aux appareils radio exempts de licence. L'exploitation est autorisée aux deux conditions suivantes :

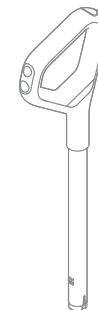
1. L'appareil ne doit pas produire de brouillage;
2. L'appareil doit accepter tout brouillage radioélectrique subi, même si le brouillage est susceptible d'en compromettre le fonctionnement.

---	Courant continu
~	Courant alternatif

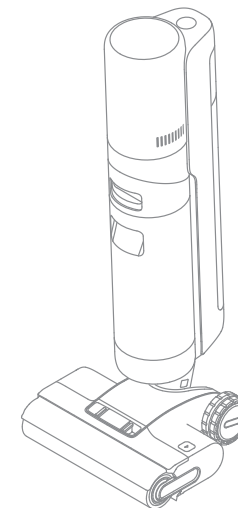
Liste d'emballage



Station de charge



Poignée



Corps principal



Filtre de rechange



Panier-filtre pour déchets solides



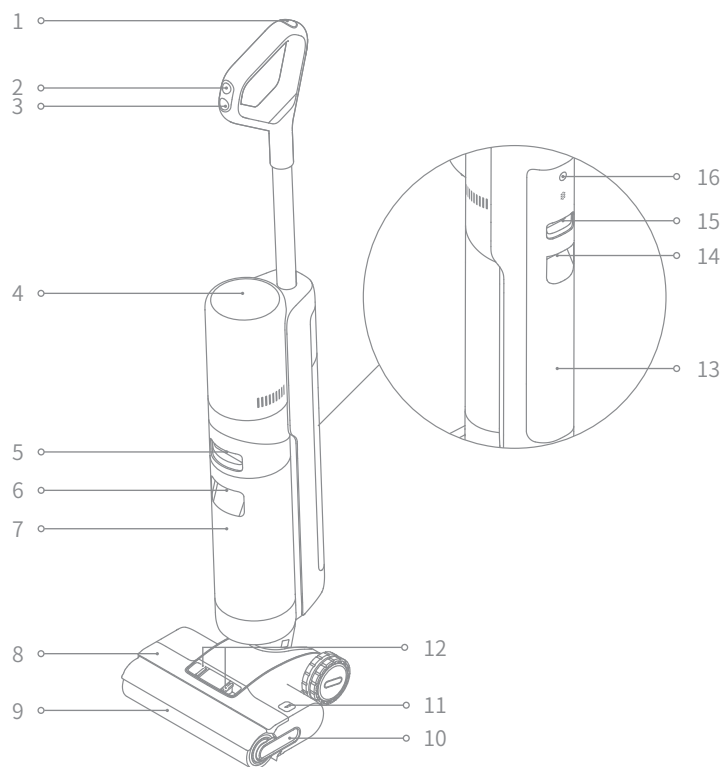
Rouleau à brosse de rechange



Brosse de nettoyage

Présentation du produit

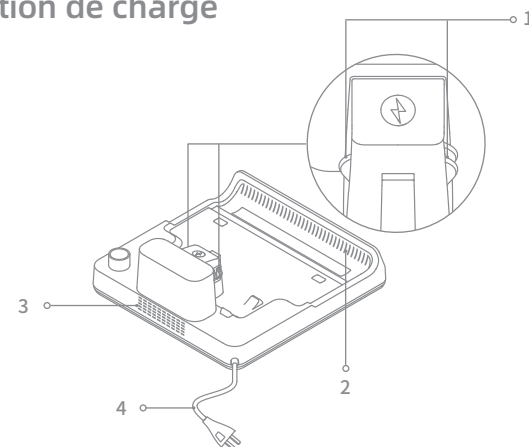
Aspirateur



- | | | |
|---|---|--|
| 1. Bouton d'autonettoyage | 8. Couvercle de la brosse à rouleau | 15. Bouton de déverrouillage du réservoir d'eau propre |
| 2. Commutateur de mode | 9. Rouleau à brosse | 16. Bouton de message vocal |
| 3. Interrupteur d'alimentation | 10. Poignée de la brosse à rouleau | <ul style="list-style-type: none"> • Appuyez brièvement pour activer le message vocal ou régler le volume. • Maintenez cette touche enfoncée pendant 3 secondes pour accéder au réglage de la langue. Appuyez sur cette touche pour passer d'une langue à l'autre. Appuyez et maintenez enfoncé pour confirmer la sélection. |
| 4. Écran d'affichage | 11. Boutons de déverrouillage de la brosse à rouleau | |
| 5. Bouton de déverrouillage du réservoir d'eau sale | 12. Boutons de déverrouillage du couvercle de la brosse à rouleau | |
| 6. Poignée du réservoir d'eau sale | 13. Réservoir d'eau propre | |
| 7. Réservoir d'eau sale | 14. Poignée du réservoir d'eau propre | |

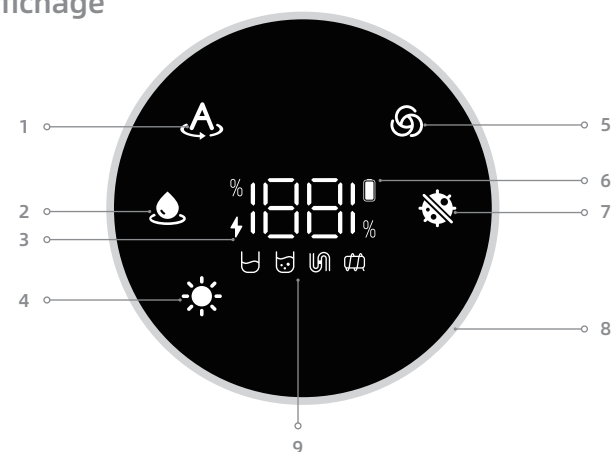
Présentation du produit

Station de charge



1. Contacts de charge
2. Entrée de séchage à l'air
3. Sortie de séchage à l'air
4. Cordon d'alimentation

Écran d'affichage

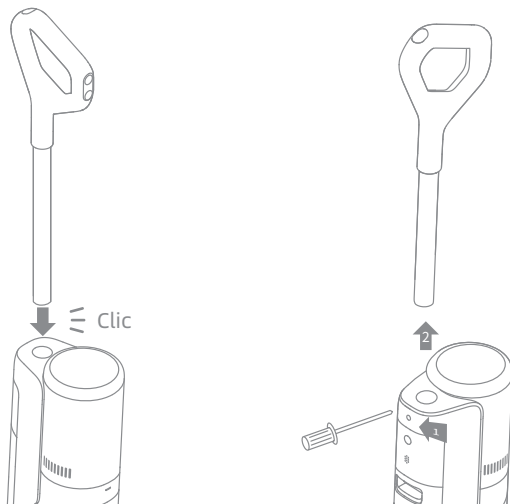


- | | | |
|-------------------------|---|---|
| 1. Mode automatique | 5. Mode turbo | 8. Indicateur de concentration de saleté
La couleur de la courbe change en temps réel en fonction du niveau de poussière |
| 2. Mode aspiration | 6. Indicateur de batterie faible | 9. Messages d'erreur |
| 3. Indicateur de charge | <ul style="list-style-type: none"> • Orange fixe : Niveau de batterie \leq 20 % • Vert fixe : Niveau de la batterie $>$ 20 % | <ul style="list-style-type: none"> Quantité d'eau insuffisante dans le réservoir d'eau propre Réservoir d'eau sale plein Tube bouché Brosse à rouleau coincée |
| 4. Mode de séchage | 7. Mode ultra | |

Remarque : si l'appareil ne fonctionne pas correctement, l'écran affiche un message d'erreur. Veuillez consulter la section Messages d'erreur et Solutions pour trouver une réponse.

Montage et démontage de la poignée

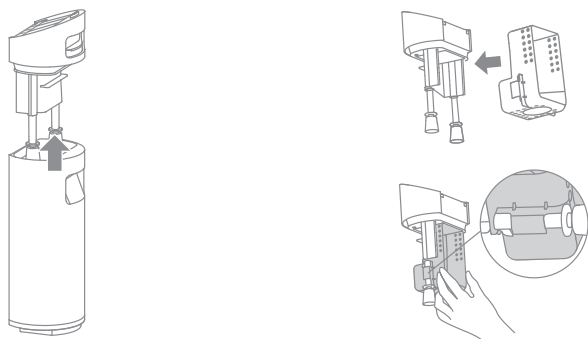
Insérez l'extrémité de la poignée verticalement dans l'orifice situé sur le dessus de l'appareil, comme indiqué, jusqu'à ce que vous entendiez un déclic.



Remarque : Pour démonter la poignée, veuillez utiliser un objet dur pour atteindre le trou à l'arrière de l'aspirateur afin d'appuyer sur le contact, et en même temps tirer la poignée vers le haut.

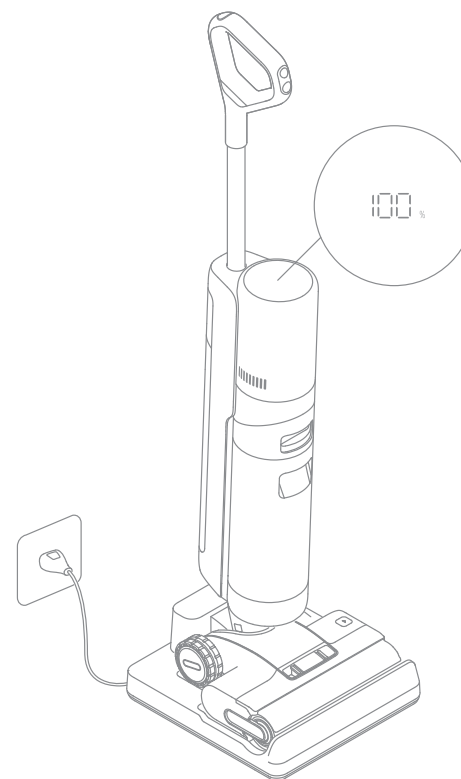
Installation du panier-filtre pour déchets solides

Retirez le réservoir d'eau usagée et relevez le couvercle du réservoir pour installer le panier-filtre pour déchets solides.



Remarque : Si le panier-filtre pour déchets solides n'est pas installé, les autres fonctions peuvent fonctionner normalement, mais les déchets solides ne pourront pas être séparés.

1. Placez la station de chargement contre un mur sur un sol plat et branchez-la à une source d'alimentation. Chargez complètement l'appareil avant la première utilisation.
2. Placez l'appareil sur la base de charge. Lorsque le message vocal "Commencer à charger" s'affiche, l'appareil passe en mode de charge. Pendant la charge, le chiffre affiché sur l'écran représente le niveau actuel de la batterie en pourcentage. Lorsque le chiffre atteint 100, la batterie est entièrement chargée.

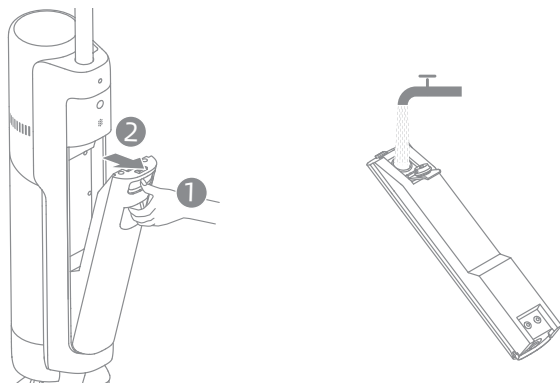


Remarque :

- Si aucune opération n'est effectuée dans les 10 minutes suivant la charge complète, l'aspirateur passe en mode veille. Veuillez redémarrer l'appareil si vous devez l'utiliser.
- Pour prolonger la durée de vie des piles, celles-ci se refroidissent automatiquement pendant environ une heure après une utilisation prolongée de l'appareil.

Remplissez le réservoir d'eau propre

Appuyez sur le bouton de libération du réservoir d'eau propre pour retirer le réservoir. Ouvrez le couvercle du réservoir et remplissez le réservoir d'eau propre. Réinstallez le réservoir d'eau propre et assurez-vous qu'il s'enclenche en place.



Ajouter du Liquide de Nettoyage

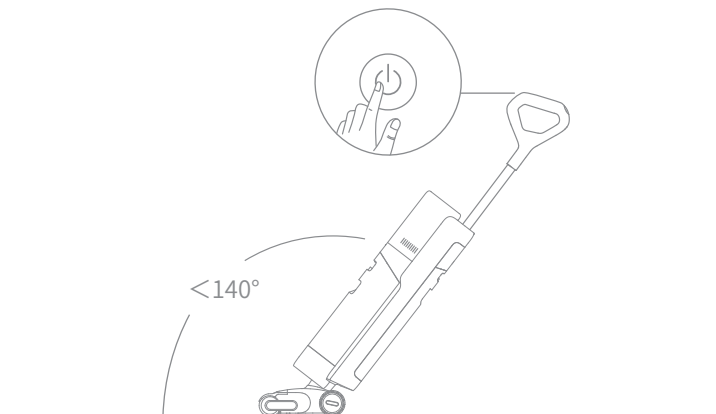
Pour de meilleures performances de nettoyage, il est recommandé d'ajouter 0,34 oz / 10 ml de détergent avec le bouchon du flacon dans le réservoir d'eau propre rempli, puis de secouer légèrement et uniformément avant utilisation.

Remarque : N'ajoutez aucun liquide autre que le nettoyant officiellement approuvé. Le nettoyant est disponible sur le magasin officiel en ligne.

AVERTISSEMENT : Pour réduire le risque d'incendie ou de choc électrique dû au dommage de composants internes, utiliser seulement dremee AWH10 le liquide de nettoyage prévu pour cet appareil.

Démarrer le nettoyage

Appuyez délicatement avec le pied sur le couvercle de la brosse et inclinez la machine vers l'arrière. Appuyez sur le bouton d'alimentation  pour démarrer la tâche.

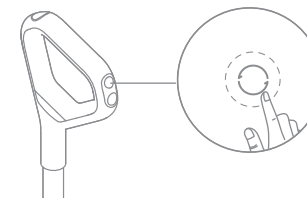


Remarque :



- Ne l'utilisez pas pour aspirer des liquides mousseux.
- Si l'appareil est en position verticale pendant le travail, la tâche en cours sera suspendue.
- L'appareil est adapté au nettoyage des sols, du marbre, des carreaux et autres surfaces dures.
- Lors de l'utilisation, appuyez la brosse contre le plancher.
- Lorsque l'appareil fonctionne, ne le soulevez pas du plancher, ne l'inclinez pas et ne le posez pas à plat. L'eau usée risquerait de s'écouler dans le moteur.

Changement de modes

L'appareil est mis en marche en mode automatique par défaut, vous pouvez passer au mode ultra, au - mode aspiration et - au mode turbo selon vos besoins.



Auto-nettoyage à l'eau chaude

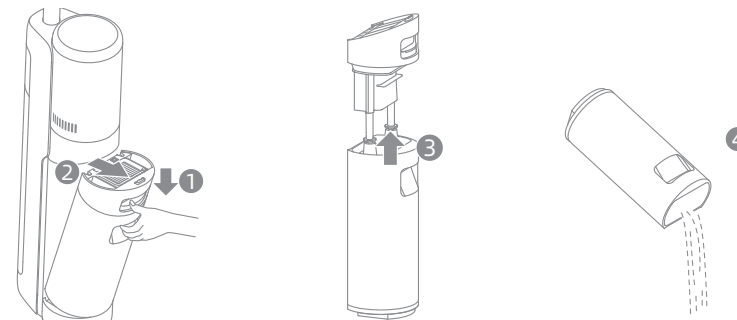
1. Une fois que l'appareil a terminé sa tâche de nettoyage, replacez-le sur la station et assurez-vous que l'eau contenue dans le réservoir d'eau propre est suffisante pour l'autonettoyage.
2. Appuyez brièvement sur le bouton d'autonettoyage  situé sur le dessus de la poignée pour lancer l'autonettoyage à l'eau chaude. Passez d'un mode d'autonettoyage à l'autre en suivant les instructions vocales.
3. Veuillez vider le réservoir d'eau sale une fois l'autonettoyage terminé et le mode de séchage enclenché. Appuyez sur le bouton  pour quitter le mode de séchage.

Remarque :

- La fonction d'auto-nettoyage ne peut être activée que lorsque l'appareil est en cours de chargement et que le niveau de la batterie est supérieur à 15%.
- Ne touchez pas le rouleau-brosse, l'eau chaude ou le module de chauffage de la base de chargement pendant le processus d'autonettoyage.

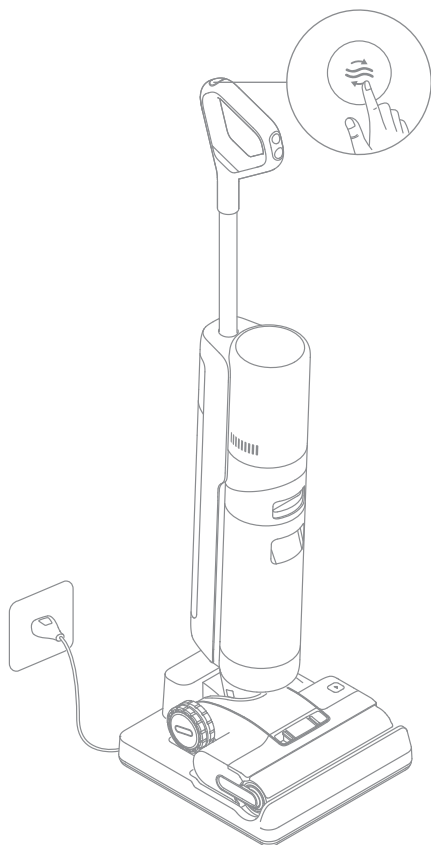
Videz le réservoir d'eau sale

Appuyez sur le bouton d'ouverture du réservoir d'eau usée pour retirer le réservoir. Relevez le couvercle du réservoir et versez l'eau usagée. Réinstallez le couvercle du réservoir et le réservoir avant utilisation.



Mode de séchage

1. Appuyez sur le bouton d'autonettoyage  et maintenez-le enfoncé pendant 3 secondes pour activer le mode de séchage.
2. L'appareil sera chargé une fois le séchage terminé.



Remarque :

- Une fois l'autonettoyage terminé, nettoyez rapidement le réservoir d'eau sale. Nettoyez la base de charge s'il reste des taches sur la base.
- Si vous nettoyez la brosse à rouleau manuellement, veuillez le faire sécher à l'air libre ou en utilisant le mode de séchage plusieurs fois.

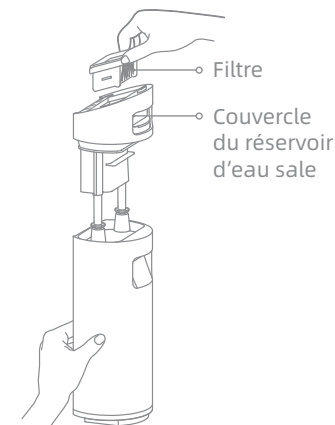
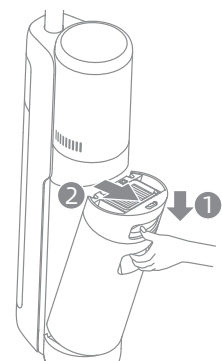
Conseils:

- Éteignez l'appareil avant de procéder à l'entretien. Ne touchez pas l'interrupteur d'alimentation.
- Remplacez les pièces au besoin. Les pièces doivent être remplacées par celles offertes par le fabricant ou son agent de service.
- Si l'appareil n'est pas utilisé pendant une période prolongée, chargez-le complètement, débranchez l'adaptateur d'alimentation et rangez l'appareil dans un endroit frais, peu humide et à l'abri des rayons directs du soleil. Pour éviter une décharge excessive de la batterie, chargez l'appareil au moins une fois tous les 3 mois.

Nettoyage du réservoir d'eau sale et du filtre

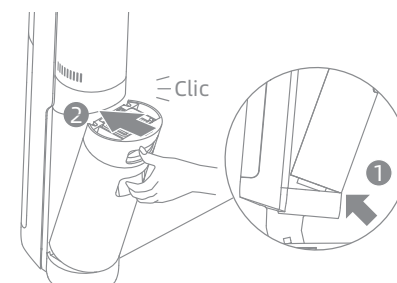
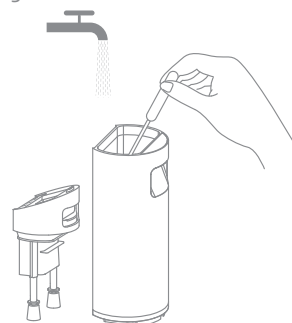
1. Appuyez sur le bouton de libération du réservoir d'eau sale et sortez le réservoir d'eau sale.

2. Retirez le filtre du couvercle du réservoir d'eau usée. Relevez le couvercle du réservoir et versez l'eau usée.



3. Rincez le réservoir d'eau usée et son couvercle avec de l'eau, et nettoyez la paroi intérieure du réservoir à l'aide de la brosse de nettoyage fournie.

4. Fermez le couvercle du réservoir d'eau sale, réinstallez le réservoir et assurez-vous que le réservoir s'enclenche en place.

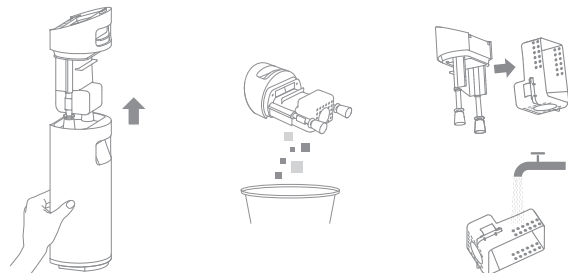


Remarque :

- lorsque le filtre est sale et doit être lavé, rincez-le à l'eau. Il doit être complètement sec avant d'être utilisé.
- Il est recommandé de remplacer le filtre tous les 3 à 6 mois.

Nettoyage du panier-filtre pour déchets solides

Retirez le réservoir d'eau usagée, puis levez le couvercle du réservoir. Séparez le panier-filtre à déchets solides du couvercle du réservoir et nettoyez-le.

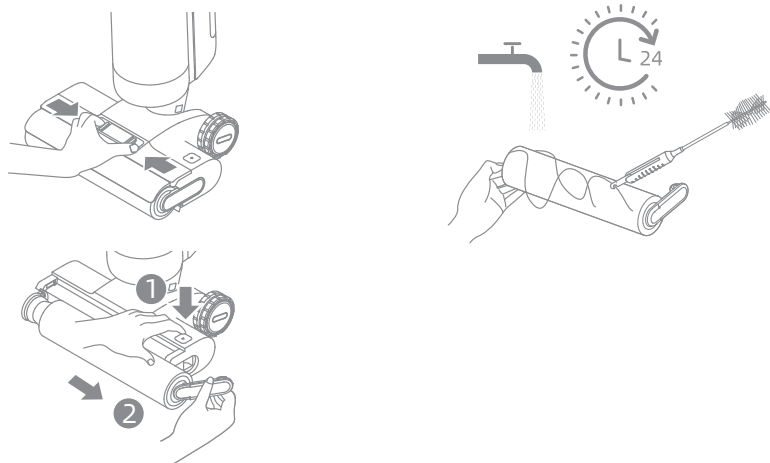


Remarque : si vous n'avez pas besoin d'utiliser le panier-filtre à déchets solides, vous pouvez le retirer.

Nettoyage de la brosse

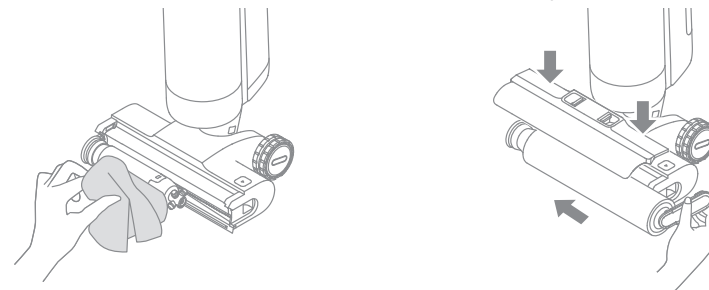
1. Tout d'abord, appuyez sur les boutons de libération du couvercle de la brosse à rouleau vers l'intérieur des deux côtés pour retirer le couvercle. Ensuite, appuyez sur le bouton de libération de la brosse à rouleau et sa poignée sort. Tirez sur la poignée pour retirer la brosse à rouleau.

2. Dégagez les cheveux et les débris emmêlés sur le rouleau-brosse avec la brosse de nettoyage fournie. Rincez le rouleau-brosse à l'eau claire. Séchez soigneusement le rouleau-brosse à l'air libre, ou séchez-le en activant plusieurs fois le mode de séchage.



3. Essuyez l'entrée d'aspiration avec un chiffon sec ou un tissu humide. Ne rincez pas l'ensemble de la brosse à l'eau.

4. Après avoir nettoyé le rouleau à brosse, réinstallez-le avec son couvercle. Vous entendrez un déclic qui indiquera qu'ils sont bien en place.

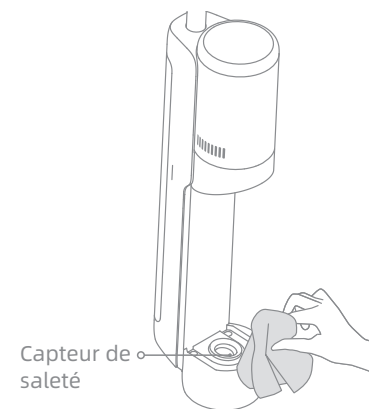


Remarque :

- Nettoyez selon les besoins. Il est recommandé d'utiliser alternativement les deux rouleaux-brosses fournis.
- Il est recommandé de remplacer la brosse à rouleau tous les 3 à 6 mois.

Nettoyage du tube et du capteur de saleté

Retirez le réservoir d'eau sale, essuyez le tube et le capteur de saleté avec un chiffon humide avant de les utiliser.



Remarque : ne rincez pas le tube ou le capteur de saleté.

Si une erreur se produit, l'appareil s'arrête de fonctionner. Veuillez consulter le tableau suivant pour le dépannage. Si le problème persiste, veuillez contacter le service clientèle.

Error	Possible cause	Solution
L'appareil ne fonctionne pas	L'appareil n'a plus de batterie ou son niveau de batterie est faible	Chargez-la complètement avant d'utiliser l'aspirateur
	L'appareil est en position verticale	Inclinez l'appareil vers l'arrière
	Blocage activé du mode de protection contre la surchauffe	L'appareil surchauffe en raison d'une obstruction et la coupure haute température s'est activée
	Le réservoir d'eau sale est plein	Videz le réservoir d'eau sale
	Les pièces ne sont pas installées en place	Vérifiez que la poignée et le réservoir d'eau usagée sont correctement installés
L'appareil se charge lentement	La température de la batterie est trop basse ou trop élevée	Attendez que la température de la batterie revienne à la normale
La puissance d'aspiration de l'appareil est faible	Le filtre est bouché	Nettoyage du filtre
	L'entrée ou le tube d'aspiration est bloqué par un corps étranger	Nettoyez le tube et l'entrée d'aspiration
Le moteur émet un bruit étrange	Il y a trop d'eau sale dans le réservoir d'eau usée	Videz le réservoir d'eau sale
	L'ouverture d'aspiration est bloquée	Dégagez toute obstruction de l'ouverture d'aspiration
La concentration de saleté est rouge	Le capteur de saleté doit être nettoyé	Le capteur de saleté se trouve dans le tube. Suivez les instructions de nettoyage du tube
	La concentration du nettoyant est trop élevée	Diluez le nettoyant avec de l'eau selon le ratio recommandé
	Le nettoyant d'une autre marque a provoqué une grande quantité de mousse	Utilisez uniquement le nettoyant officiellement approuvé
L'indicateur d'état de la batterie ne s'allume pas pendant la charge	La prise de la station de charge n'est pas insérée correctement dans la prise électrique	Assurez-vous que la prise de la station de charge est bien insérée
	L'appareil n'est pas placé correctement sur la station de chargement	Assurez-vous que l'appareil est placé correctement sur la base de chargement

Il n'y a pas d'eau qui sort de l'appareil	Le réservoir d'eau propre n'est pas bien installé ou la quantité d'eau dans le réservoir d'eau propre est insuffisante	Réinstallez ou remplissez le réservoir d'eau propre
	Il faut 30 secondes pour humidifier le rouleau-brosse	Mettez l'appareil en marche et vérifiez à nouveau dans 30 secondes
Fuite d'eau par la fente d'aération	Une collision ou une traction brusque peut entraîner l'entrée d'eau dans le moteur. Ne soulevez pas l'appareil du plancher, ne l'inclinez pas et ne le posez pas à plat	Déplacez doucement l'appareil d'avant en arrière et appuyez la brosse contre le plancher lorsque vous l'utilisez
	Le filtre n'est pas complètement sec après avoir été nettoyé	Séchez complètement le filtre avant l'utilisation
L'autonettoyage échoue	La brosse à rouleau peut être coincée par de grosses particules	Ouvrez le couvercle de la brosse à rouleau pour vérifier et nettoyer la brosse à rouleau
	L'appareil n'est pas placé correctement sur la station de chargement	Assurez-vous que l'appareil est chargé avant d'activer la fonction d'autonettoyage
	L'autonettoyage ne peut pas être activé si le niveau de la batterie est inférieur à 15%	La fonction d'autonettoyage ne peut être activée que lorsque l'aspirateur est à la station de charge et que le niveau de la batterie est supérieur à 15%
	Le réservoir d'eau sale n'est pas bien installé, ou le réservoir d'eau sale est plein	Réinstallez ou videz le réservoir d'eau sale
	Le réservoir d'eau propre n'est pas bien installé ou la quantité d'eau dans le réservoir d'eau propre est insuffisante	Réinstallez ou remplissez le réservoir d'eau propre
	Mauvaise performance de séchage ou bruit étrange pendant le séchage	La sortie et l'entrée d'air de la base de charge sont peut-être bloquées

Pour des services supplémentaires, veuillez nous contacter via support.us@dreame.tech
Tel: +1 (866) 977-5177

Messages d'erreur et solutions

Si l'aspirateur ne fonctionne pas correctement, l'écran affichera un message d'erreur. Veuillez consulter le tableau de dépannage pour trouver votre solution.

Icône d'erreur	Possible cause	Solution
	Quantité d'eau insuffisante dans le réservoir d'eau propre	Remplissez le réservoir d'eau propre
	Réservoir d'eau sale plein	Videz le réservoir d'eau sale
	Brosse à rouleau coincée	Nettoyez la brosse à rouleau avec la brosse de nettoyage fournie
	Tube bouché	Vérifiez si le filtre est bouché. Vous pouvez également nettoyer le tube et le capteur de saleté
	Le rouleau-brosse et le tube sont sales	Remplacez l'appareil sur sa base pour qu'il s'autonettoie

Code d'erreur	Possible cause	Solution
E1-E7	Error	Redémarrez l'appareil pour le dépannage. Si le problème persiste, veuillez contacter le service clientèle
H1-H6		
H7	Surchauffe de la batterie	Veuillez utiliser l'adaptateur électrique original ou contacter le service clientèle

Spécifications

Aspirateur			
Modèle	HHR27C	Temps de charge	Environ 4 heures (y compris le séchage)
		Temps de séchage	Environ 30 minutes
Tension nominale	21,6 V ---	Tension de charge	27 V ---
Puissance nominale	300 W	Capacité du réservoir d'eau sale	16,9 fl oz
		Capacité du réservoir d'eau propre	30,4 fl oz
Station de charge			
Modèle	HCBC		
Entrée Nominale	120 V ~ 60 Hz 0,8 A (charge) 235 W*	Sortie Nominale	27 V --- 1,68 A

*La puissance d'entrée nominale de la base de chargement est mesurée lorsque la fonction de séchage et la fonction de chargement sont activées en même temps.

- La batterie au lithium contient des substances dangereuses pour l'environnement. Avant de mettre l'appareil au rebut, veuillez d'abord retirer la batterie, puis la mettre au rebut ou la recycler conformément aux lois et réglementations locales du pays où elle est utilisée.
- L'appareil doit être débranché de l'alimentation électrique lors du retrait de la batterie. Gardez les batteries hors de la portée des enfants. Ne mettez jamais les batteries dans la bouche. En cas d'ingestion, communiquez avec votre médecin ou le centre antipoison local.
- Dans des conditions abusives, ne touchez jamais une batterie qui pourrait éjecter du liquide. En cas de contact accidentel, rincez à l'eau. Si le liquide entre en contact avec les yeux, consultez immédiatement un médecin. Le liquide éjecté de la batterie peut causer une irritation ou des brûlures.

INSTRUCCIONES IMPORTANTES DE SEGURIDAD

Cuando utiliza un aparato eléctrico, siempre debe seguir las precauciones básicas, incluidas las siguientes:

LEA TODAS LAS INSTRUCCIONES ANTES DE USAR (ESTE APARATO).

El incumplimiento de las advertencias e instrucciones puede provocar descarga eléctrica, incendio y/o lesiones graves.

GUARDE ESTAS INSTRUCCIONES

Solo para uso doméstico.

ADVERTENCIA- Para reducir el riesgo de incendio, descarga eléctrica o lesiones:

- Para reducir el riesgo de incendio, no use líquidos inflamables o combustibles para limpiar el piso.
- No permita que se utilice como un juguete. Debe prestar mucha atención cuando se utiliza cerca de niños, mascotas o plantas.
- Use únicamente como se describe en este manual. Sólo utilice los accesorios recomendados por el fabricante.
- No lo utilice con el cable o enchufe dañado. Si el aparato no funciona correctamente, se ha caído, dañado, dejado al aire libre o sumergido en agua, remítalo a un centro de servicio.
- No tire ni transporte agarrando el cable, no use el cable como asa, no cierre puertas encima del cable ni pase el cable por bordes o esquinas afiladas. No pase el aparato por encima del cable. Mantenga el cable alejado de superficies calientes.
- No desenchufe tirando del cable. Para desenchufar, agarre el enchufe, no el cable.
- No manipule la base de carga, el enchufe de la base de carga los terminales de la base de carga con las manos mojadas.
- No coloque ningún objeto en las aberturas. No lo utilice si tiene alguna abertura bloqueada; manténgalo libre de polvo, pelusas, cabello y cualquier material que pueda reducir el flujo de aire.
- Mantenga el cabello, la ropa holgada, los dedos y todas las partes del cuerpo alejados de las aberturas y las piezas móviles.
- Tenga mucho cuidado cuando limpie escaleras.
- No lo use para limpiar líquidos inflamables o combustibles, como gasolina, ni lo use en zonas donde puedan estar presentes.
- No limpie nada que se esté quemando o humeando, como cigarrillos, cerillas o cenizas calientes.
- Apague siempre este aparato antes de conectar o desconectar la boquilla motorizada.
- No lo use al aire libre o sobre superficies mojadas durante la carga.
- Evite el encendido involuntario. Asegúrese de que el interruptor esté apagado antes levantarlo o transportarlo. Transportar el aparato con el dedo apoyado en el interruptor o energizar el aparato con el interruptor encendido puede causar accidentes.

- Recargue sólo con la base de carga especificado por el fabricante. Una base de carga adecuada para un tipo de aparato puede crear un riesgo de incendio al usarse con otro.
- Bajo condiciones abusivas, puede haber fugas de líquido en la batería; evite el contacto. Si ocurre contacto accidental, enjuague con agua. Si el líquido entra en contacto con los ojos, busque atención médica. El líquido derramado de la batería puede provocar irritación o quemaduras.
- No utilice una batería o un aparato dañado o modificado. Las baterías dañadas o modificadas pueden tener un comportamiento impredecible que resulte en fuego, explosión o lesiones.
- No exponga una batería o un aparato al fuego ni a temperaturas excesivas. La exposición al fuego o una temperatura superior a 130°C/266°F puede provocar explosiones.
- Siga todas las instrucciones de carga y no cargue la batería o el aparato fuera del rango de temperatura indicado en las instrucciones. La carga incorrecta o a temperaturas fuera del rango indicado puede dañar la batería y aumentar el riesgo de incendio.
- Remita el servicio a un técnico calificado que utilice únicamente idénticas piezas de repuesto. Esto asegurará que se mantenga la seguridad del producto.
- No modifique ni intente reparar el aparato o la batería, excepto de la forma indicada en las instrucciones de uso y cuidado.
- Apague siempre este aparato antes de limpiarlo o realizar el mantenimiento.
- Para reducir el riesgo de incendio y descarga eléctrica debido a daños en los componentes internos, utilice solamente el líquido limpiador de dreame diseñado para usarse con este aparato. Consulte la sección Líquido Limpiador de este manual.
- Este aparato contiene baterías que no son reemplazables.
- El aparato debe almacenarse, usarse y cargarse sólo en el rango de temperatura de 4°C/39.2°F~40°C/104°F.
- Utilice solamente paquetes de baterías específicamente designados para este aparato. El uso de cualquier otro paquete de baterías puede crear un riesgo de lesiones e incendio.
- Cuando la batería no está en uso, manténgala alejada de otros objetos metálicos, como sujetapapeles, monedas, llaves, clavos, tornillos u otros objetos metálicos pequeños, que puedan crear conexión entre terminales. Cortocircuito de terminales de batería juntados puede causar quemaduras o incendio.

Precaución:

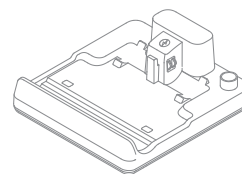
Este dispositivo cumple con la Parte 15 de las Normas de la FCC / Innovación, Ciencia y Desarrollo Económico RSS(s) exentos de licencia de Canadá. El funcionamiento está sujeto a las siguientes dos condiciones: (1) este dispositivo no puede causar interferencias dañinas. (2) este dispositivo debe aceptar cualquier interferencia recibida, incluida la interferencia que pueda provocar un funcionamiento no deseado.

Cambios o modificaciones no aprobados expresamente por la parte responsable del cumplimiento podrían anular la autoridad del usuario para operar el equipo.

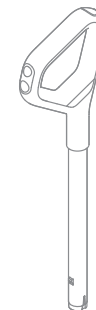
Este equipo ha sido probado y se determinó que cumple con los límites para un dispositivo digital de Clase B, de conformidad con la parte 15 de las Normas de la FCC. Estos límites están diseñados para brindar una protección razonable contra interferencias dañinas en una instalación residencial. Este equipo genera usos y puede irradiar energía de radiofrecuencia y, si no se instala y utiliza de acuerdo con las instrucciones, puede causar interferencias dañinas en las comunicaciones por radio. Sin embargo, no hay garantía de que no se produzcan interferencias en una instalación en particular. Si este equipo causa interferencias dañinas en la recepción de radio o televisión, lo que se puede determinar con apagar y encender el equipo, se recomienda que el usuario intente corregir la interferencia mediante una o más de las siguientes acciones.

---	Corriente continua
~	Corriente alterna

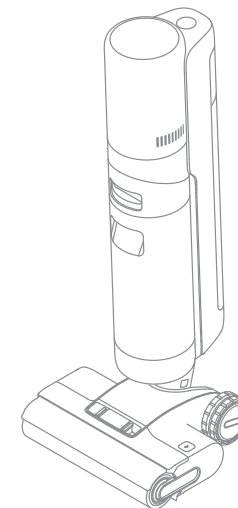
Contenido



Base de carga



Mango



Cuerpo principal



Filtro de repuesto



Canasta del filtro de residuos sólidos



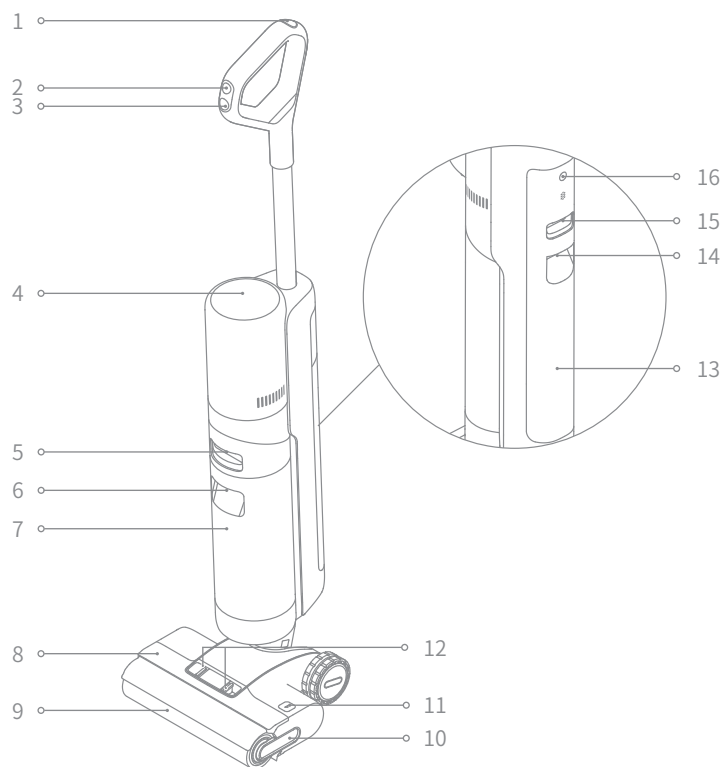
Cepillo giratorio de repuesto



Cepillo de limpieza

Descripción general del producto

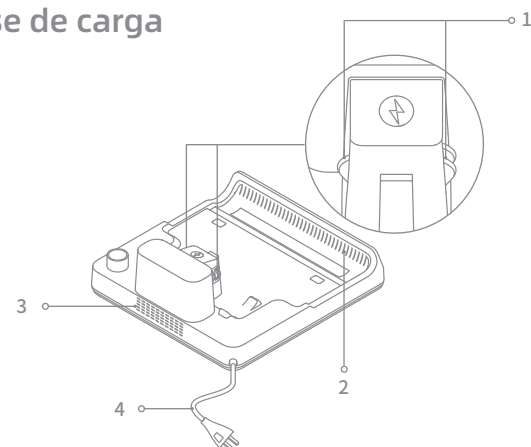
Aspirador



- | | | |
|---|--|--|
| 1. Botón de limpieza automática | 8. Cubierta del cepillo giratorio | 15. Botón de liberación del depósito de agua limpia |
| 2. Interruptor de modo | 9. Cepillo de rodillo | 16. Botón de indicación por voz |
| 3. Interruptor de alimentación | 10. Mango de cepillo de rodillo | <ul style="list-style-type: none"> • Presione el botón brevemente para activar la indicación por voz o ajustar el volumen. • Mantenga presionado durante 3 segundos para acceder a la configuración de idioma. Presione para cambiar entre idiomas. Mantenga presionado para confirmar la selección. |
| 4. Pantalla de visualización | 11. Botón de liberación del cepillo giratorio | |
| 5. Botón de liberación del depósito de agua usada | 12. Botón de liberación de la cubierta del cepillo giratorio | |
| 6. Manija del depósito de agua usada | 13. Depósito de agua limpia | |
| 7. Depósito de agua usada | 14. Manija del depósito de agua limpia | |

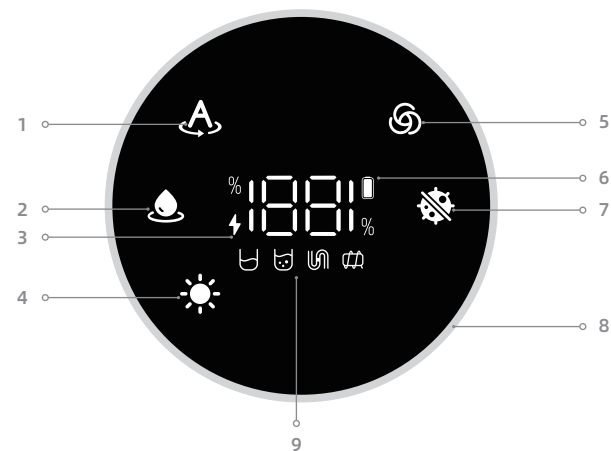
Descripción general del producto

Base de carga



1. Contactos de carga
2. Entrada de aire de secado
3. Salida de aire de secado
4. Cable de alimentación

Pantalla de visualización

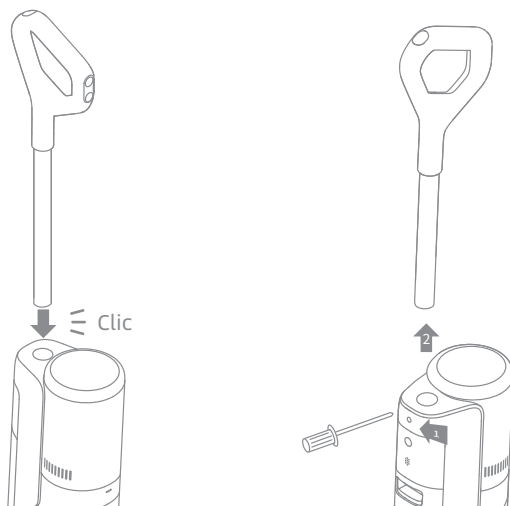


- | | | |
|-----------------------|---|--|
| 1. Modo automático | 5. Modo turbo | 8. Indicador de concentración de suciedad
El color cambia de acuerdo con el nivel de polvo inhalado |
| 2. Modo de succión | 6. Indicador de batería baja | 9. Mensajes de error |
| 3. Indicador de carga | <ul style="list-style-type: none"> • Respiración naranja: Nivel de batería ≤ 20% • Respiración verde: Nivel de batería > 20% | <ul style="list-style-type: none"> El depósito de agua limpia no tiene suficiente agua El depósito de agua usada está lleno El tubo está tapado El cepillo giratorio está atascado |
| 4. Modo de secado | 7. Modo ultra | |

Nota: Si el dispositivo no funciona correctamente, la pantalla mostrará un mensaje de error. Consulte la sección Indicaciones de Error y Soluciones para encontrar su solución.

Ensamblaje y desensamblaje del mango

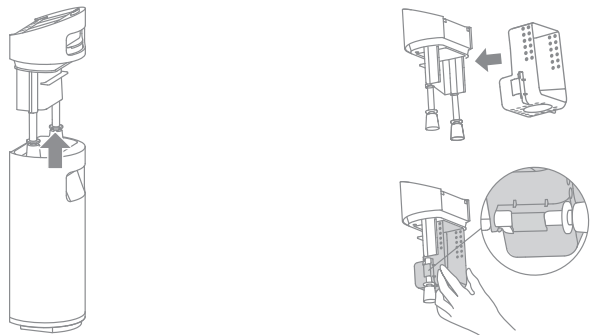
Inserte el extremo de la manija verticalmente en el puerto en la parte superior del aparato como se indica hasta que escuche un clic.



Nota: Para desmontarlo, coloque un objeto firme en el orificio de la parte posterior de la aspiradora a fin de presionar los contactos y, al mismo tiempo, tire del mango hacia arriba.

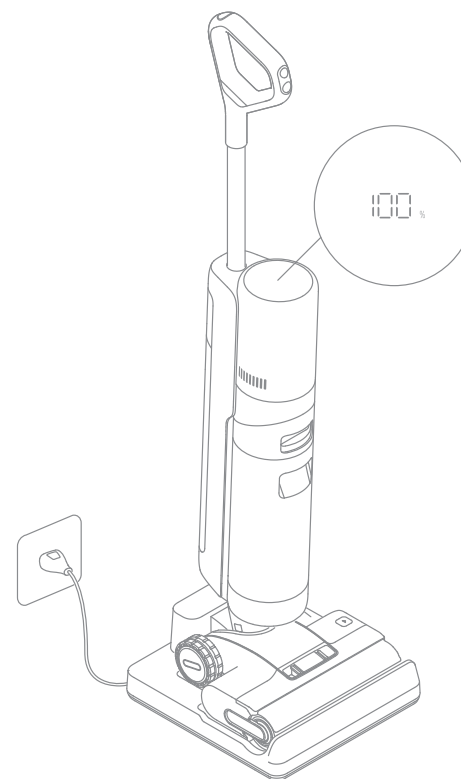
Instalación de la canasta del filtro de residuos sólidos

Retire el tanque de agua usada y levante la cubierta del tanque para instalar la canasta del filtro de residuos sólidos.



Nota: Si la canasta del filtro de residuos sólidos no está instalada, las demás funciones pueden funcionar normalmente, excepto que los residuos sólidos no se pueden separar.

1. Coloque la base de carga contra una pared a nivel del suelo y conéctela a una fuente de alimentación. Cargue completamente el aparato antes del primer uso.
2. Ponga el aparato en la base de carga. Cuando se muestra el mensaje de voz "Comenzar a Cargar", el aparato activará el modo de carga. Durante la carga, el número que aparece en la pantalla representa el nivel actual de la batería en un porcentaje. Cuando el número llega a 100, la batería está completamente cargada.



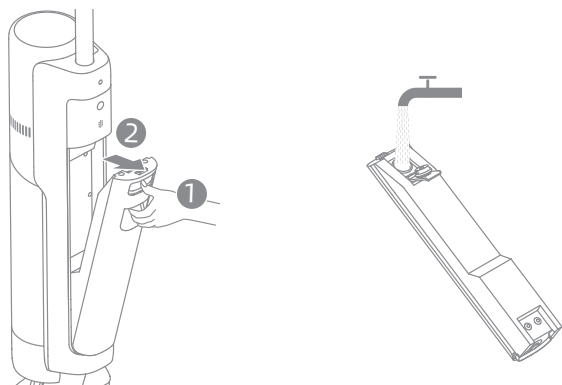
Nota:

- Si no hay ninguna operación dentro de los 10 minutos tras cargarse por completo, el aspirador entrará en modo de suspensión. Reinicie el dispositivo si necesita utilizarlo.
- Para prolongar la vida útil de la batería, la batería sigue enfriándose durante aproximadamente una hora automáticamente después de uso prolongado del aparato.

Modo de uso

Llene el tanque de agua limpia

Presione el botón de liberación del tanque de agua limpia para quitar el tanque. Abra la tapa del tanque y llénelo con agua limpia. Vuelva a instalar el tanque de agua limpia y asegúrese de que encaje en su lugar.




Añadiendo Líquido de Limpieza

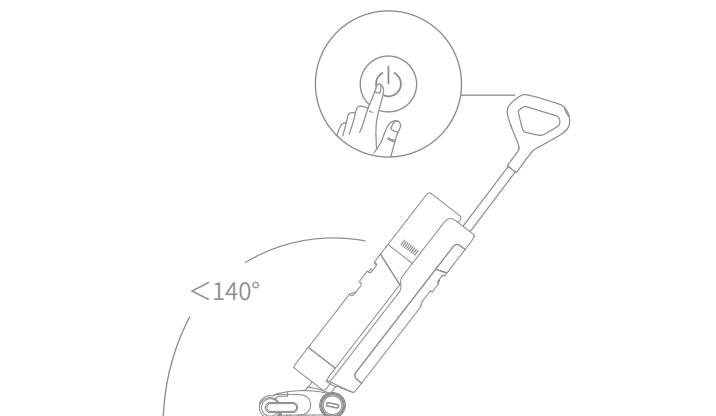
Para un mejor rendimiento de limpieza, se recomienda agregar 0,34 oz/10 ml de detergente con la tapa de la botella al tanque de agua limpia lleno, luego agitar el tanque suave y uniformemente para su uso.

Nota: No agregue ningún líquido que no sea el detergente aprobado por Dreame. El detergente está disponible en la tienda en línea oficial.

ADVERTENCIA: Para reducir el riesgo de incendio y descarga eléctrica debido a daños en los componentes internos, utilice solamente el líquido limpiador de dreame AWH10 diseñado para usarse con este aparato. Consulte la sección Líquido Limpiador de este manual.

Empezar a limpiar

Pise suavemente la cubierta del cepillo y recline el aparato hacia atrás. Presione el interruptor de encendido  para iniciar la operación.



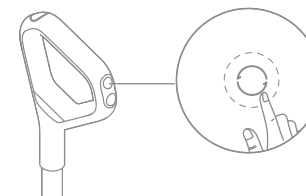
Modo de uso

Nota:



- No utilice el aparato para aspirar líquidos espumosos.
- Si el aparato se encuentra en posición vertical mientras trabaja, la tarea actual se suspenderá.
- El aparato es adecuado para limpiar piso, mármol, baldosas y otras superficies duras.
- Presione el cepillo contra el suelo cuando lo utilice.
- Cuando el aparato esté en funcionamiento, no lo levante del suelo, no lo incline ni lo coloque horizontalmente. Si lo hace, el agua usada puede fluir hacia el motor.

Cambiar entre modos

El aparato se enciende en modo automático por defecto, puede cambiar al modo ultra, al modo succión y al modo turbo según sea necesario.



Autolimpieza con agua caliente

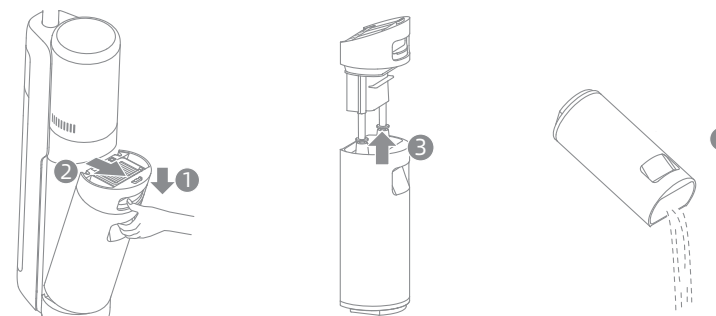
1. Después de que el aparato complete la tarea de limpieza, colóquelo nuevamente en la base y asegúrese de que el agua en el tanque de agua limpia sea suficiente para la autolimpieza.
2. Pulse brevemente el botón de autolimpieza  situado en la parte superior de la manija para iniciar la autolimpieza con agua caliente. Cambie entre los modos de autolimpieza según las indicaciones de voz.
3. Vacíe el tanque de agua usada tras completar la autolimpieza y activar el modo de secado. Presione el botón  para salir del modo de secado.

Nota:


- La función de autolimpieza solo se puede activar cuando el aparato se está cargando y el nivel de la batería está superior al 15%.
- No toque el rodillo del cepillo, el agua caliente ni el módulo de calentamiento de la base de carga durante el proceso de autolimpieza.

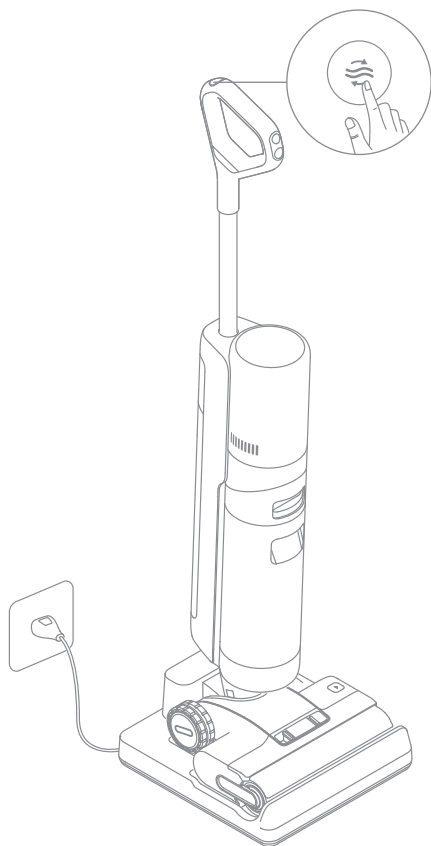
Vacíe el tanque de agua usada

Pulse el botón de liberación del tanque de agua usada para sacar el tanque. Levante la cubierta del tanque y vierta el agua usada. Vuelva a colocar la cubierta del tanque y el tanque antes de utilizarlo.



Modo de secado

1. Mantenga presionado el botón de autolimpieza  durante 3 segundos para activar el modo de secado.
2. El aparato se cargará una vez completado el secado.



Nota:

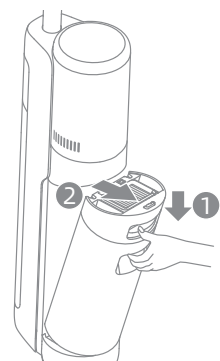
- Una vez finalizada la autolimpieza, limpie el tanque de agua usada enseguida. Limpie la base de carga si quedan manchas en la base.
- Si limpia el cepillo de rodillo manualmente, séquelo bien al aire o usando el modo de secado varias veces.

Consejos:

- Apague el aparato antes del mantenimiento. No toque el interruptor de encendido.
- Reemplace las piezas si es necesario. Las piezas se deben reemplazar por las que el fabricante o su agente de servicio tengan disponibles.
- Si el aparato no se usa durante un período prolongado, cárguelo por completo, desenchufe el adaptador de corriente y guárdelo en un ambiente fresco y con poca humedad, lejos de la luz solar directa. Para evitar una descarga excesiva de la batería, cargue el aparato al menos una vez cada 3 meses.

Limpiar el tanque de agua usada y el filtro

1. Presione el botón de liberación del tanque de agua usada y retire el tanque de agua usada.



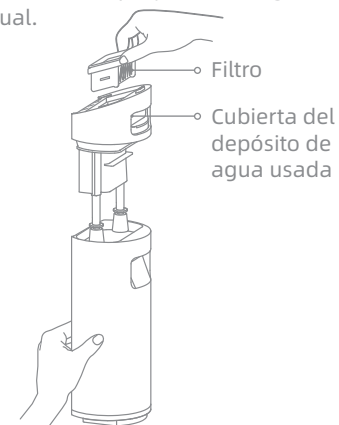
3. Enjuague el tanque de agua usada y la cubierta del tanque con agua, y limpie la pared interior del tanque con el cepillo de limpieza incluido.



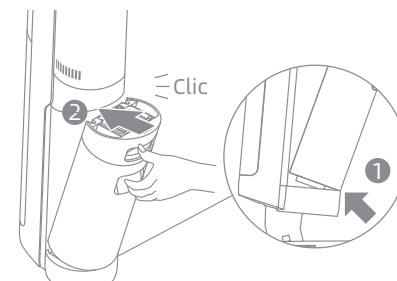
Nota:

- Cuando el filtro esté sucio y necesite lavarse, enjuáguelo con agua. Debe estar completamente seco antes de su uso.
- Se recomienda reemplazar el filtro cada 3 a 6 meses.

2. Saque el filtro de la cubierta del tanque de agua usada. Tire hacia arriba de la cubierta del tanque y vierta el agua residual.



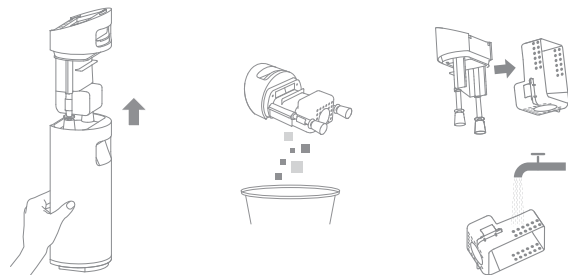
4. Cierre la tapa del tanque de agua usada, vuelva a instalar el tanque y asegúrese de que encaje en su lugar.



Cuidado y mantenimiento

Limpeza de la canasta del filtro de residuos sólidos

Retire el tanque de agua usada y levante la cubierta del tanque. Separe la canasta del filtro de residuos sólidos de la cubierta del tanque y límpiela.

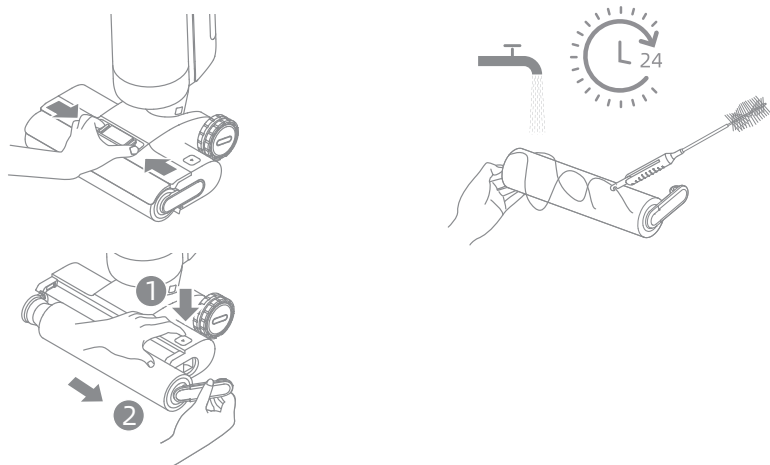


Nota: Si no necesita utilizar la canasta del filtro de residuos sólidos, puede retirarla.

Limpeza del conjunto del cepillo

1. Primero, presione los botones de liberación de la tapa del cepillo de rodillo hacia adentro en ambos lados para quitarle la tapa. A continuación, presione el botón de liberación del cepillo de rodillo y el mango del cepillo de rodillo saldrá. Tire del mango para sacar el cepillo de rodillo.

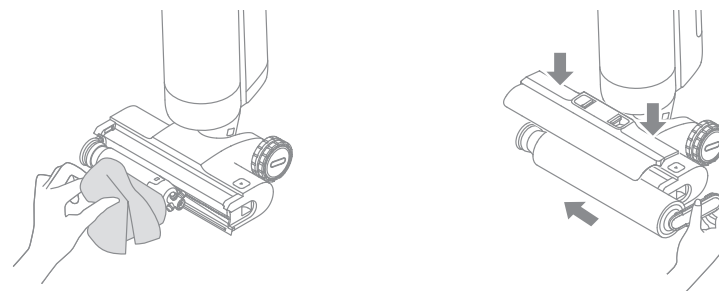
2. Quite los pelos y otros residuos enredados en el cepillo de rodillo con el cepillo de limpieza proporcionado. Enjuague el cepillo de rodillo con agua limpia. Seque bien el cepillo de rodillo al aire o con el modo de secado varias veces.



Cuidado y mantenimiento

3. Limpie la entrada de succión con un paño seco o un pañuelo húmedo. No enjuague el conjunto del cepillo con agua.

4. Después de limpiar el cepillo de rodillos, reinstale el cepillo de rodillos y su cubierta. Se oirá un click indicando que ellos están en su lugar.

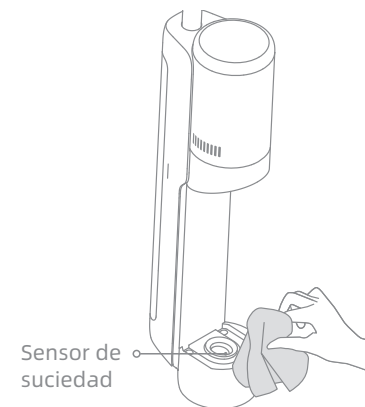


Nota:

- Limpiar según sea necesario. Se recomienda alternar el uso de los dos cepillos de rodillo proporcionados.
- Se recomienda reemplazar el cepillo de rodillo cada 3 a 6 meses.

Limpeza del tubo y del sensor de suciedad

Retire el tanque de agua usado, limpie el tubo y el sensor de suciedad con un paño húmedo antes de uso.



Nota: No enjuague el tubo ni el sensor de suciedad.

Si se produce un error, el dispositivo dejará de funcionar. Consulte la siguiente tabla para solucionar problemas. Si el problema persiste, comuníquese con el servicio de atención al cliente.





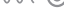
Erreur	Cause possible	Solución
El aparato no funciona	El aparato no tiene batería o el nivel de batería está bajo	Cargue completamente la batería antes de usar el aparato
	El aparato está en posición vertical	Recline el aparato hacia atrás
	Modo de protección contra sobrecalentamiento activado por bloqueo	El aparato se está sobrecalentando debido a una obstrucción y la suspensión por alta temperatura se ha activado
	El depósito de agua usada está lleno	Vacíe el depósito de agua usada
	Las partes no están instaladas en su lugar	Asegúrese que la manija y el tanque de agua usada estén correctamente en su lugar
El aparato se carga lentamente	La temperatura de la batería está demasiado baja o demasiado alta	Espere hasta que la temperatura de la batería vuelva a la normalidad
La potencia de succión del aparato está débil	El filtro está tapado	Limpieza del filtro
	La entrada o el tubo de succión está bloqueado por un objeto extraño	Limpie el tubo y la entrada de succión
El motor hace un ruido extraño	Hay demasiada agua sucia en el tanque de agua usada	Vacíe el depósito de agua usada
	La entrada de succión está tapada	Quite cualquier elemento que esté tapando la entrada de succión
El indicador de la concentración de suciedad está en rojo fijo	El sensor de suciedad necesita limpieza	El sensor de suciedad está en el tubo. Siga las instrucciones de limpieza del tubo.
	La concentración del detergente está demasiado alta	Diluya el detergente con agua en la proporción recomendada
	Una solución de limpieza de terceros provocó una gran cantidad de espuma	Use únicamente el detergente aprobado por nosotros

El indicador de estado de la batería no se enciende durante la carga	El enchufe de la base de carga no está insertado correctamente en el tomacorriente	Asegúrese de que el enchufe de la base de carga esté insertado correctamente
	El aparato no está colocado correctamente en la base de carga	Asegúrese de que el aparato esté colocado en la base de carga correctamente
No sale agua del aparato	El depósito de agua limpia no está instalado en su lugar o el agua del depósito es insuficiente	Vuelva a instalar o llene el depósito de agua limpia
	Se tarda 30 segundos en humedecer el cepillo giratorio	Encienda el aparato y verifique nuevamente en 30 segundos
El respiradero pierde agua	Una colisión o un tirón brusco provocan que entre agua en el motor, levante el aparato del suelo, inclínelo o colóquelo horizontalmente	Mueva el aparato suavemente hacia adelante y hacia atrás y presione el cepillo contra el suelo cuando lo utilice
	El filtro no quedó completamente seco después de limpiarlo	Seque el filtro por completo antes de usar el aparato
La limpieza automática falla	El cepillo giratorio puede estar atascado debido a la presencia de partículas grandes	Abra la cubierta del cepillo giratorio para revisar y limpiar el rodillo giratorio
	El aparato no está colocado correctamente en la base de carga	Asegúrese de que el aparato se esté cargando antes de activar la función de autolimpieza
	La limpieza automática no se puede activar si el nivel de la batería es inferior al 15%	La función de limpieza automática solo se puede activar cuando la aspiradora se está cargando y el nivel de la batería es superior al 15%
	El depósito de agua usada no está instalado en su lugar o está lleno	Vuelva a instalar o vacíe el depósito de agua usada
Funcionamiento deficiente del secado o ruidos extraños durante el secado	El depósito de agua limpia no está instalado en su lugar o el agua del depósito es insuficiente	Vuelva a instalar o llene el depósito de agua limpia
	La salida de aire y la entrada de aire de la base de carga pueden estar obstruidas	Verifique y quite cualquier obstrucción de la salida de aire y la entrada de aire

Para servicios adicionales, contáctenos a través de [via support.us@dreame.tech](mailto:support.us@dreame.tech)
Tel: +1 (866) 977-5177

Indicaciones de error y soluciones

Si la aspiradora no funciona correctamente, aparecerá un mensaje de error en la pantalla. Consulte la tabla de solución de problemas para encontrar una solución.

Ícono de error	Cause posible	Solución
	El depósito de agua limpia no tiene suficiente agua	Llene el depósito de agua limpia
	El depósito de agua usada está lleno	Vacíe el depósito de agua usada
	El cepillo giratorio está atascado	Limpie el cepillo giratorio con el cepillo de limpieza provisto
	El tubo está tapado	Compruebe si el filtro está obstruido. Como alternativa, limpie el tubo y el sensor de suciedad
	El rodillo del cepillo y el tubo están sucios	Vuelva a colocar el aparato en la base para la autolimpieza

Código de error	Cause posible	Solución
E1-E7	Erreur	Reinicie el dispositivo para solucionar problemas. Si el problema persiste, póngase en contacto con el servicio de atención al cliente
H1-H6		
H7	Sobrecalentamiento de la batería	Espere hasta que la temperatura de la batería vuelva a la normalidad antes de seguir usando el aspirador

Especificaciones

Aspirador			
Modelo	HHR27C	Tiempo de carga	aprox. 4 horas (incluido el secado)
		Tiempo de secado	aprox. 30 min.
Voltaje nominal	21,6 V ---	Voltaje de carga	27 V ---
Potencia nominal	300 W	Capacidad del depósito de agua usada	16,9 fl oz
		Capacidad del depósito de agua limpia	30,4 fl oz
Base de carga			
Modelo	HCBC		
Entrada nominal	120 V ~ 60 Hz 0,8 A (carga) 235 W*	Salida nominal	27 V --- 1,68 A

*La potencia de entrada nominal de la base de carga se mide cuando la función de secado y la función de carga están encendidas al mismo tiempo.

- La batería de litio contiene sustancias que son peligrosas para el medioambiente. Antes de deshacerse del artefacto, primero quite la batería y, luego, deséchelo o recíclolo de acuerdo con las leyes y regulaciones locales del país o la región donde se utilice.
- El aparato debe estar desconectado de la fuente de alimentación cuando se extraiga la batería. Mantenga la batería fuera del alcance de los niños. Nunca lleve la batería a su boca. En caso de ingestión, comuníquese con un médico o el servicio de toxicología local.
- Nunca toque la batería en condiciones de uso abusivo, ya que es posible que el líquido se filtre. Si la toca de manera accidental, enjuáguese con agua. Si el líquido entra en contacto con los ojos, busque asistencia médica de inmediato. El líquido expulsado de la batería puede causar irritación o quemaduras.